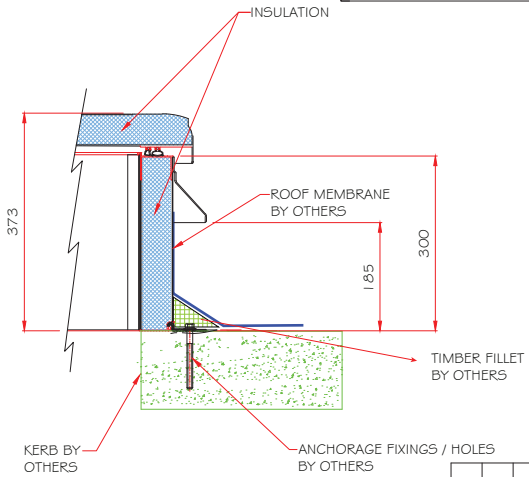
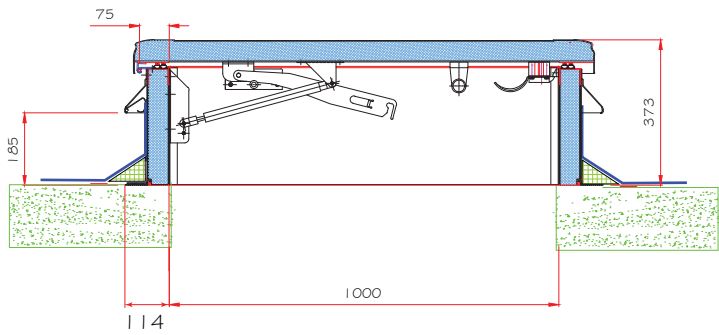
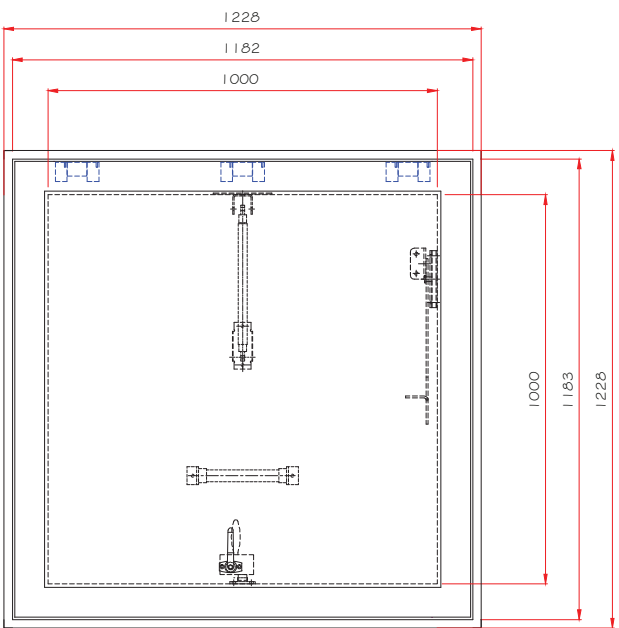
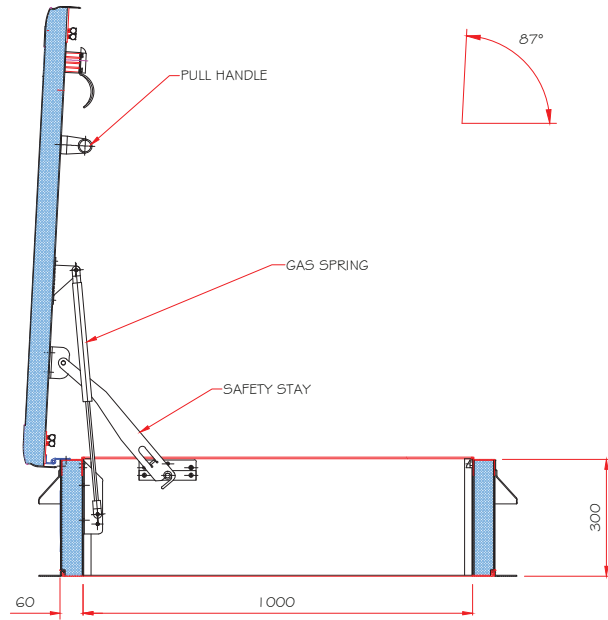


CONFIDENTIAL

| INDEX | ITEM NO | ED | AMENDMENT | DATE | SKN |
|-------|---------|----|-----------|------|-----|
|       |         |    |           |      |     |



SRH DP 1000 x 1000 HATCH  
MATL - ALUMINIUM

APPROX WEIGHT LID = 40 KG  
APPROX WEIGHT UPSTAND = 30 KG  
APPROX TOTAL WEIGHT = 70 KG

THE INTERFACE OF THIS ACCESS HATCH WITH THE ROOFING STRUCTURE, WEATHERING AND WITH ANY OTHER RELATED INTERFACE SUCH AS LADDERS, STAIRWAYS ETC IS OUTSIDE THE RESPONSIBILITY OF SURESPAN. IF IN DOUBT PLEASE SEEK CLARIFICATIONS

|   |  |   |
|---|--|---|
| Copyright is claimed in this drawing and no copy may be made without prior written permission | The article shown is also the subject of |   |
|   | patent rights                            | ✓ |
|   | registered design right                  | ✓ |
|   | unregistered rights                      | ✓ |
| © The drawing is a design document  |  | ✓ |
|   | patent pending                           | ✓ |

WIND RESTRAINTS SHOULD BE SPECIFIED ON ALL ACCESS HATCHES SUBJECT TO HIGH WIND CONDITIONS

THIS IS A MANUALLY OPERATED ACCESS HATCH/COVER AND IT IS ESSENTIAL THAT SAFE MEANS OF ACCESS IS PROVIDED FOR THE OPERATOR

| ITEM NO  | NO OFF | DRG NO. | ITEM MASS | DENOMINATION                          | MATERIAL    | REMARKS |
|--|--------|---------|-----------|---------------------------------------|-------------|---------|
|  |        |         |           | SRH/TB<br>Roof Hatches<br>1000 x 1000 |             |         |
| <small>Existing law protects SURESPAN'S right of possession to this drawing. The design or the drawing must not, without permission of the company, be published, copied, reproduced, manufactured or exploited in any other unauthorized way.</small> |        |         |           | CONTRACT NO.                          | DRAWING NO. | REV No  |
|  |        |         |           |                                       |             |         |

DRAWING MADE BY CAD  
MANUAL CHANGES PROHIBITED