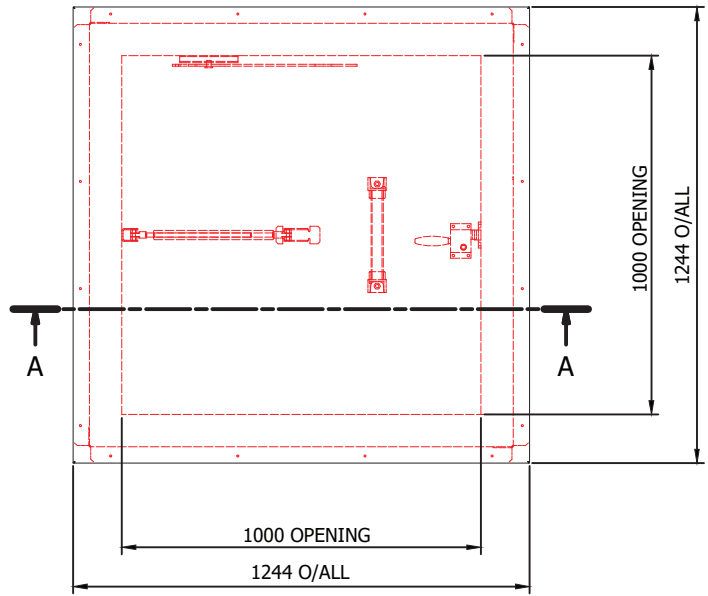


DIMENSIONS IN mm UNLESS OTHERWISE SPECIFIED - IF IN DOUBT ASK

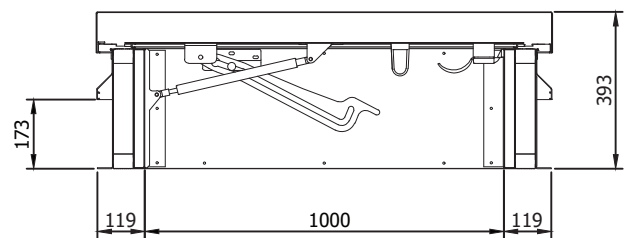


SRHP75 Single Gas Spring
 OPENING SIZE: 1000 X 1000mm
 UPSTAND HEIGHT: 300mm
 LOCKING OPTION: LO1
 MATERIAL: ALUMINIUM

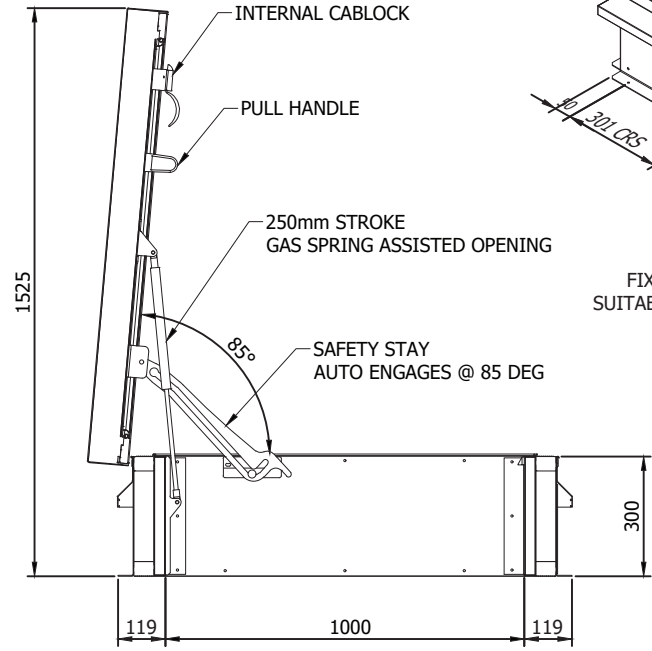
INSULATION: 75mm KINGSPAN
 QUANTITY: 1 No. REQD

INTERNAL COLOUR: SELF COLOUR
 EXTERNAL COLOUR: SELF COLOUR

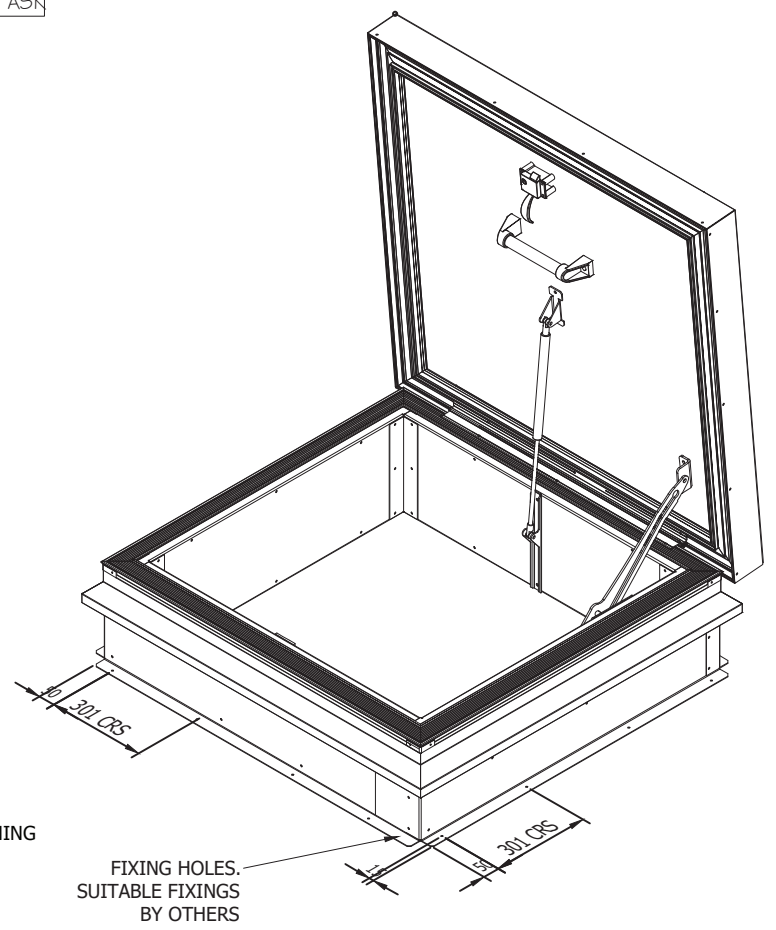
APPROX WEIGHT: 80 Kg



A-A CLOSED VIEW



A-A OPEN VIEW



LASER CUT	
PUNCH PRESS	
FOLDING	
DRILLING	
WELDING	
ASSEMBLY	
POWDER COAT	

DRAWING MADE BY CAD
MANUAL CHANGES PROHIBITED

Copyright is claimed in this drawing and no copy may be made without prior written permission.



The article shown is also the subject of:

patent rights
registered design rights
unregistered rights
this drawing is a design document
patent pending

WIND RESTRAINTS SHOULD BE SPECIFIED ON ALL ACCESS HATCHES SUBJECT TO HIGH WIND CONDITIONS THIS IS A MANUALLY OPERATED ACCESS HATCH/COVER & IT IS ESSENTIAL THAT SAFE MEANS OF ACCESS IS PROVIDED FOR THE OPERATOR



Designed by MKA	Checked by	Client	Project	Date 10.11.17
EXISTING LAW PROTECTS SURESPAN'S RIGHT OF POSSESSION TO THIS DRAWING. THE DESIGN OR THE DRAWING MUST NOT, WITHOUT PERMISSION OF THE COMPANY, BE PUBLISHED, COPIED, REPRODUCED MANUFACTURED OR EXPLOITED IN ANY OTHER UNAUTHORIZED WAY			SRHP/75 1000 X 1000 mm	
			Revision A	Sheet / 33