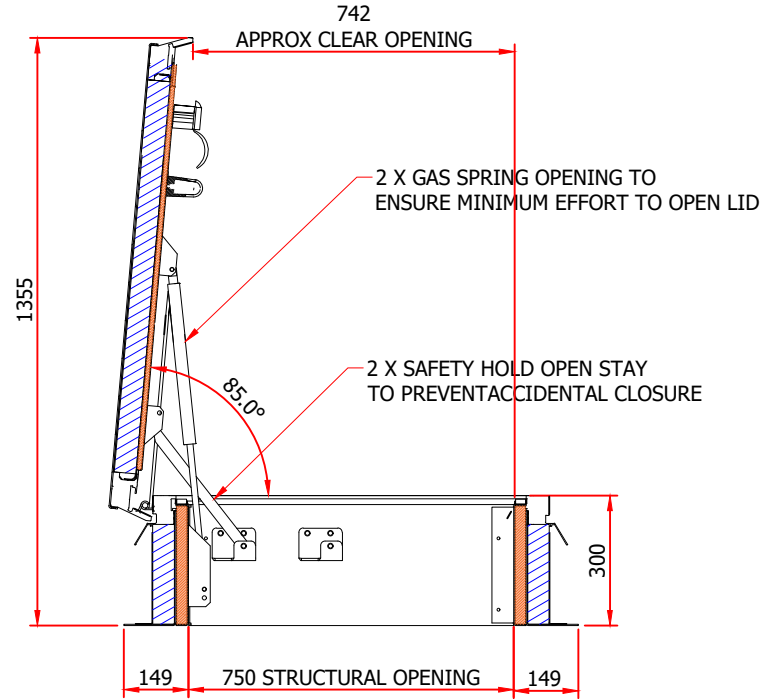
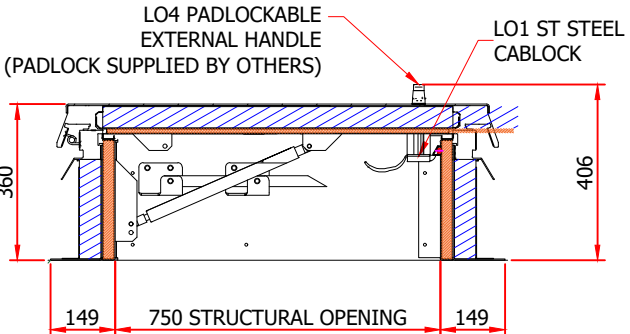
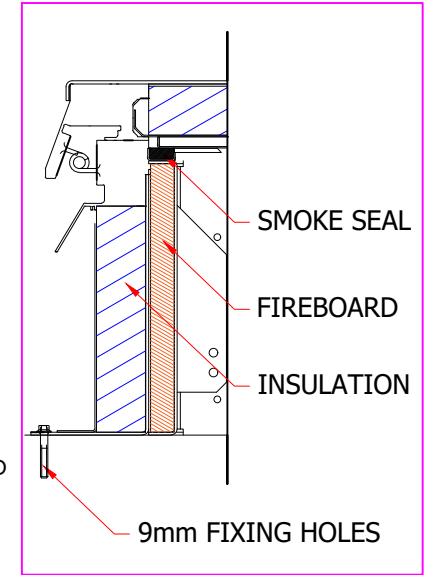


SRH TB FR 750 X 750MM  
 THERMALLY BROKEN INSULATION U-VALUE 0.63W/M2K  
 UP TO 4 HOUR FIRE RESISTANCE FOR INTEGRITY TO EN1634-1:2014

1 No. REQD  
 MATERIAL: ALUMINIUM & GALVANISED STEEL  
 FINISH: SELF COLOUR

APPROX WEIGHT: 150KG

ALL EXTERNAL FIXINGS  
 BY OTHERS



LASER CUT	
PUNCH PRESS	
FOLDING	
DRILLING	
WELDING	
ASSEMBLY	
POWDER COAT	

DRAWING MADE BY CAD  
 MANUAL CHANGES PROHIBITED

Copyright is claimed in this drawing and no copy may be made without prior written permission.

The article shown is also the subject of:  
 patent rights  
 registered design rights  
 unregistered rights  
 this drawing is a design document  
 patent pending

WIND RESTRAINTS SHOULD BE SPECIFIED ON ALL ACCESS HATCHES SUBJECT TO HIGH WIND CONDITIONS  
 THIS IS A MANUALLY OPERATED ACCESS HATCH/COVER & IT IS ESSENTIAL THAT SAFE MEANS OF ACCESS IS PROVIDED FOR THE OPERATOR



Designed by SURESPAN  
 Checked by SURESPAN  
 Client ...

EXISTING LAW PROTECTS SURESPAN'S RIGHT OF POSSESSION TO THIS DRAWING. THE DESIGN OR THE DRAWING MUST NOT, WITHOUT PERMISSION OF THE COMPANY, BE PUBLISHED, COPIED, REPRODUCED MANUFACTURED OR EXPLOITED IN ANY OTHER UNAUTHORIZED WAY

Project ...	Date 01.08.2020
Surespan SRH/TB/FR 750 X 750MM	
Revision	Sheet 1 / 30