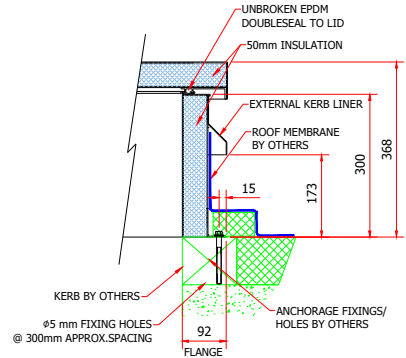
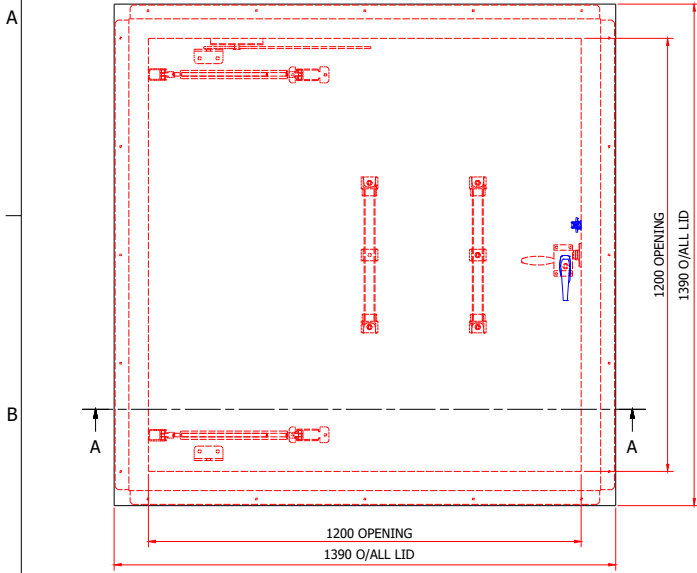
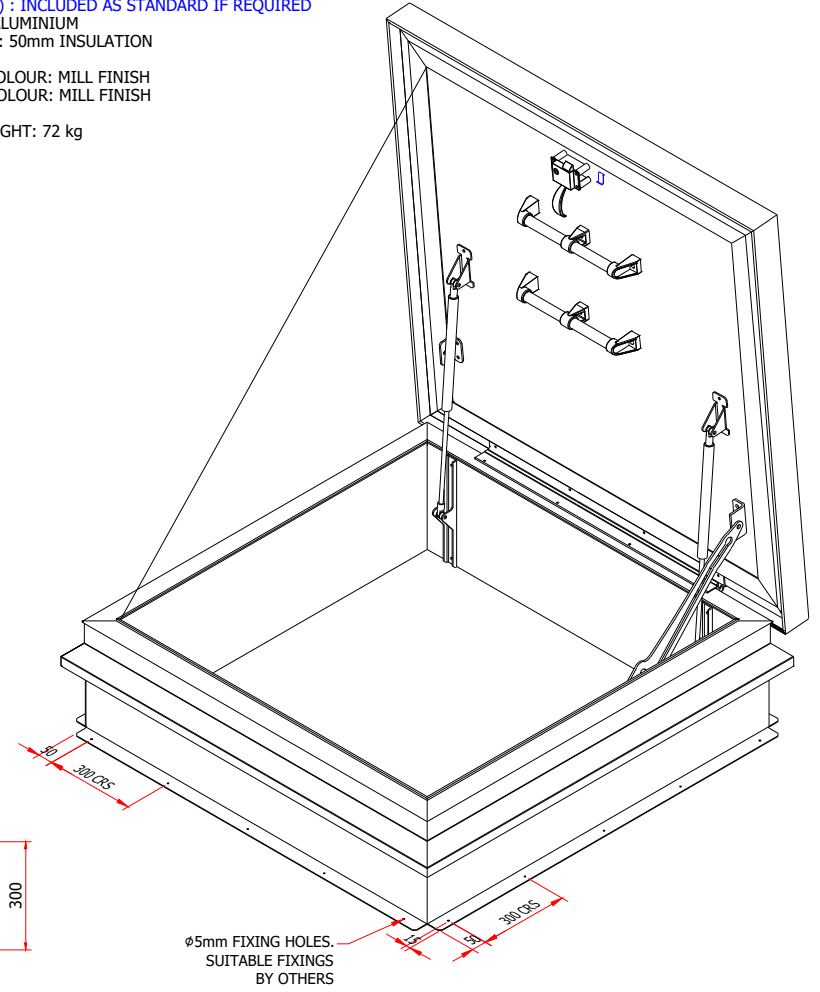
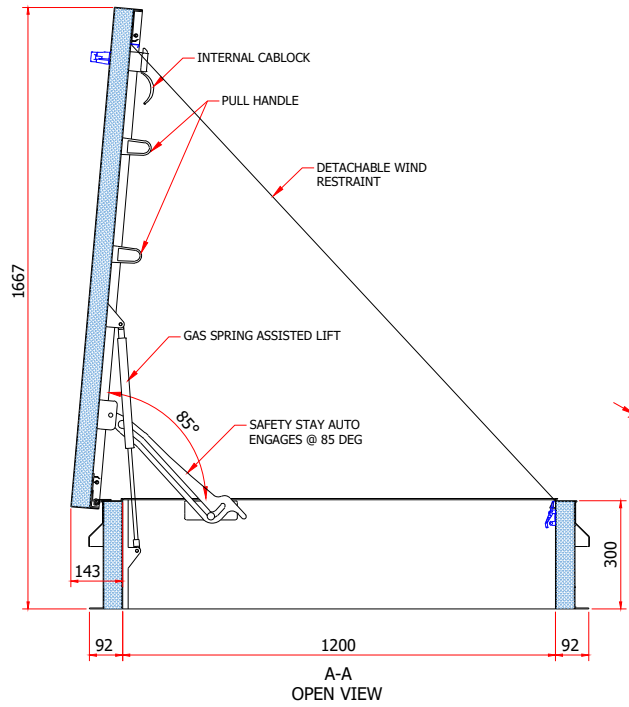
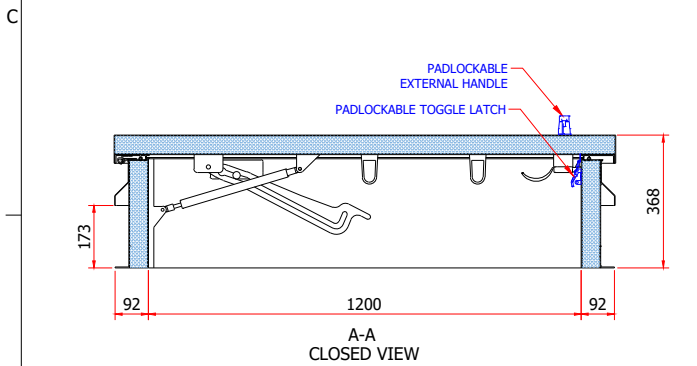


CONFIDENTIAL

DIMENSIONS IN mm UNLESS OTHERWISE SPECIFIED - IF IN DOUBT ASK



SRHP50
 SIZE: 1200 X 1200 mm
 UPSTAND HEIGHT: 300 mm
 LOCKING OPTION: LO1 (INTERNAL CABLOCK)
 LO2 (PADLOCKABLE TOGGLE LATCH) & LO4 (PADLOCKABLE EXT HANDLE) : INCLUDED AS STANDARD IF REQUIRED
 MATERIAL: ALUMINIUM
 INSULATION: 50mm INSULATION
 INTERNAL COLOUR: MILL FINISH
 EXTERNAL COLOUR: MILL FINISH
 APPROX WEIGHT: 72 kg



Ø5mm FIXING HOLES.
SUITABLE FIXINGS BY OTHERS

DRAWING MADE BY CAD
MANUAL CHANGES PROHIBITED

Copyright is claimed in this drawing and no copy may be made without prior written permission.

The article shown is also the subject of:
 patent rights
 registered design rights
 unregistered rights
 this drawing is a design document
 patent pending

WIND RESTRAINTS SHOULD BE SPECIFIED ON ALL ACCESS HATCHES SUBJECT TO HIGH WIND CONDITIONS
 THIS IS A MANUALLY OPERATED ACCESS HATCH/COVER & IT IS ESSENTIAL THAT SAFE MEANS OF ACCESS IS PROVIDED FOR THE OPERATOR



Designed by SURESPAN
 Checked by SURESPAN
 Client
 Project
 Date 01.08.2020

EXISTING LAW PROTECTS SURESPAN'S RIGHT OF POSSESSION TO THIS DRAWING. THE DESIGN OR THE DRAWING MUST NOT, WITHOUT PERMISSION OF THE COMPANY, BE PUBLISHED, COPIED, REPRODUCED MANUFACTURED OR EXPLOITED IN ANY OTHER UNAUTHORIZED WAY

SRHP50_1200 x 1200 mm
 STOCK SRHP50_1200 x 1200 mm
 Revision
 Sheet 1