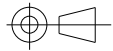
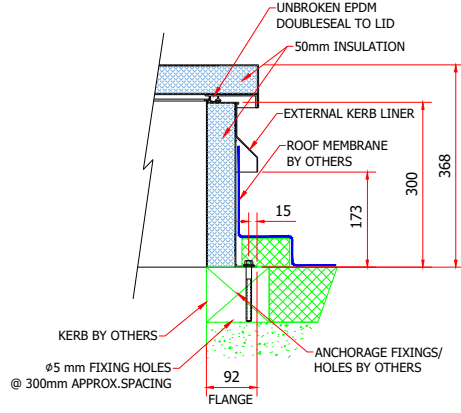
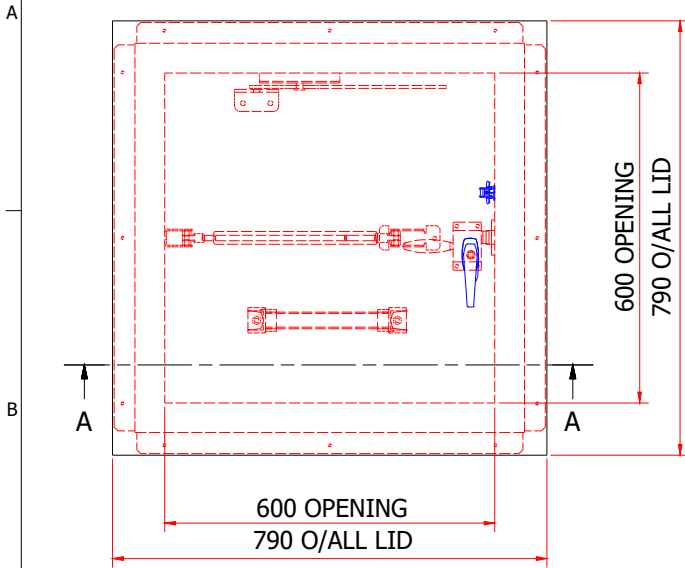


CONFIDENTIAL



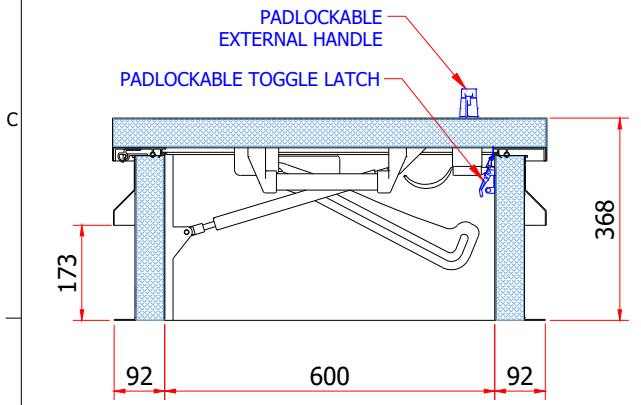
DIMENSIONS IN mm UNLESS OTHERWISE SPECIFIED - IF IN DOUBT ASK



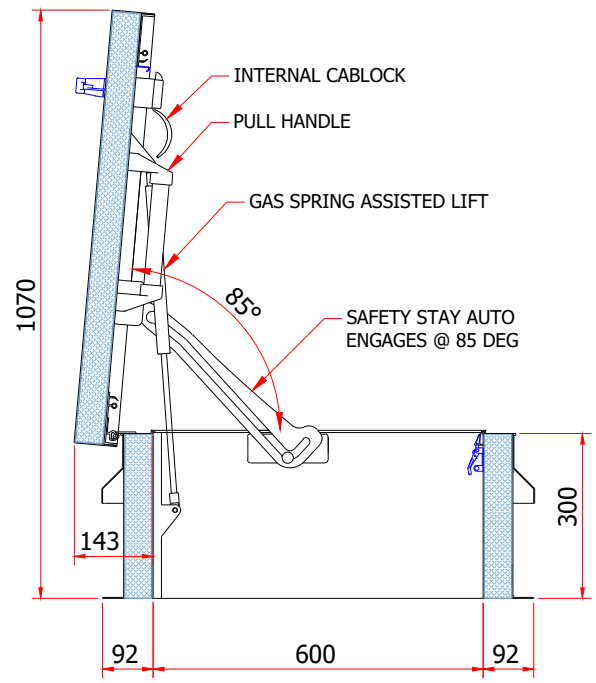
SRHP50  
 SIZE: 600 X 600 mm  
 UPSTAND HEIGHT: 300 mm  
 LOCKING OPTION: LO1 (INTERNAL CABLOCK)  
 LO2 (PADLOCKABLE TOGGLE LATCH) & LO4 (PADLOCKABLE EXT HANDLE) : INCLUDED AS STANDARD IF REQUIRED  
 MATERIAL: ALUMINIUM  
 INSULATION: 50mm INSULATION

INTERNAL COLOUR: MILL FINISH  
 EXTERNAL COLOUR: MILL FINISH

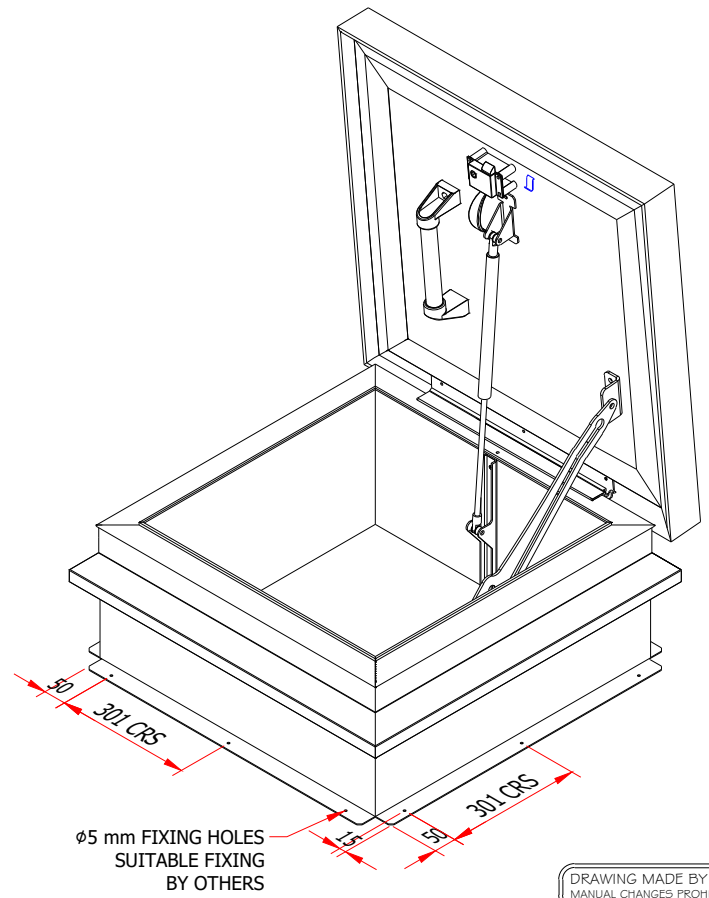
APPROX WEIGHT: 33 kg



A-A  
CLOSED VIEW



A-A  
OPEN VIEW



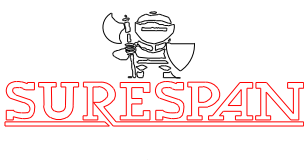
DRAWING MADE BY CAD  
 MANUAL CHANGES PROHIBITED

Copyright is claimed in this drawing and no copy may be made without prior written permission.



The article shown is also the subject of:  
 patent rights  
 registered design rights  
 unregistered rights  
 this drawing is a design document  
 patent pending

WIND RESTRAINTS SHOULD BE SPECIFIED ON ALL ACCESS HATCHES SUBJECT TO HIGH WIND CONDITIONS  
 THIS IS A MANUALLY OPERATED ACCESS HATCH/COVER & IT IS ESSENTIAL THAT SAFE MEANS OF ACCESS IS PROVIDED FOR THE OPERATOR



Designed by <b>SURESPAN</b>	Checked by <b>SURESPAN</b>	Client ....	Project ....	Date <b>01.08.2020</b>
EXISTING LAW PROTECTS SURESPAN'S RIGHT OF POSSESSION TO THIS DRAWING. THE DESIGN OR THE DRAWING MUST NOT, WITHOUT PERMISSION OF THE COMPANY, BE PUBLISHED, COPIED, REPRODUCED MANUFACTURED OR EXPLOITED IN ANY OTHER UNAUTHORIZED WAY			<b>SRHP50_600 x 600 mm</b>	
STOCK SRHP50_600 x 600 mm			Revision	Sheet <b>1</b>