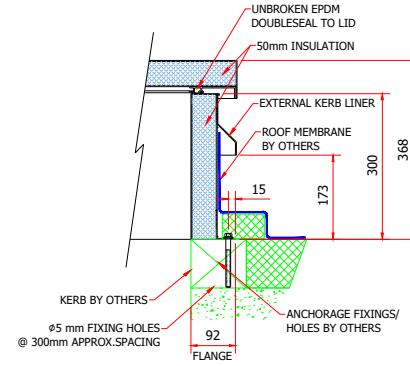
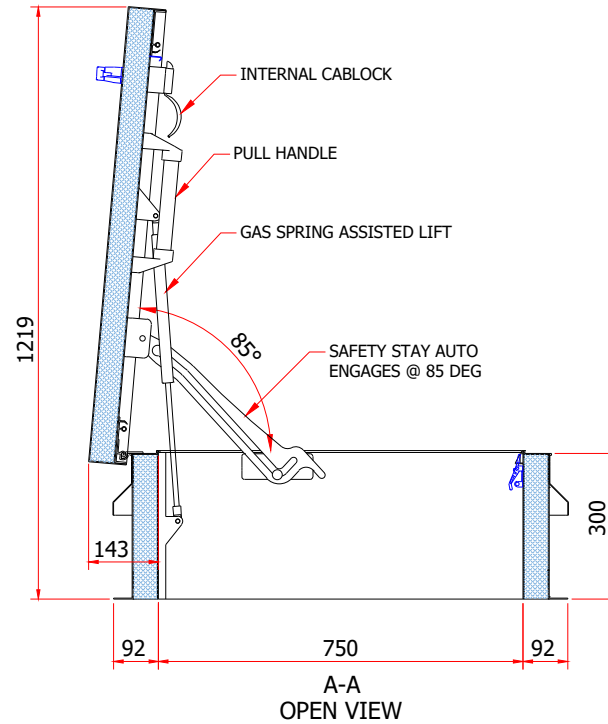
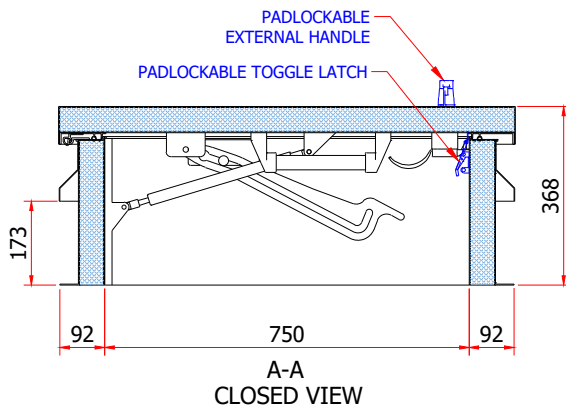
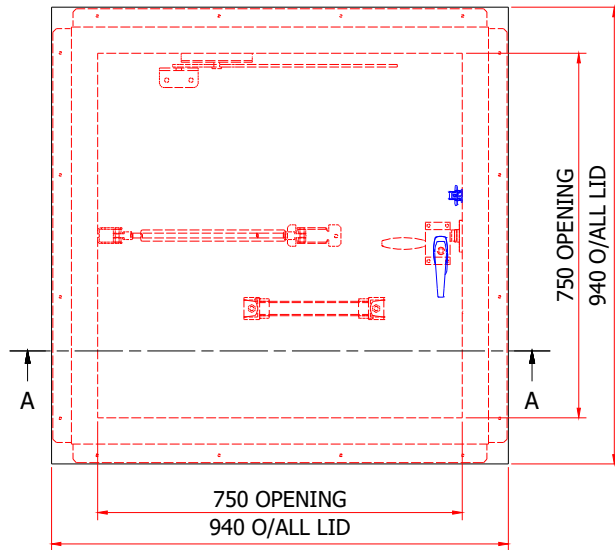


A

B

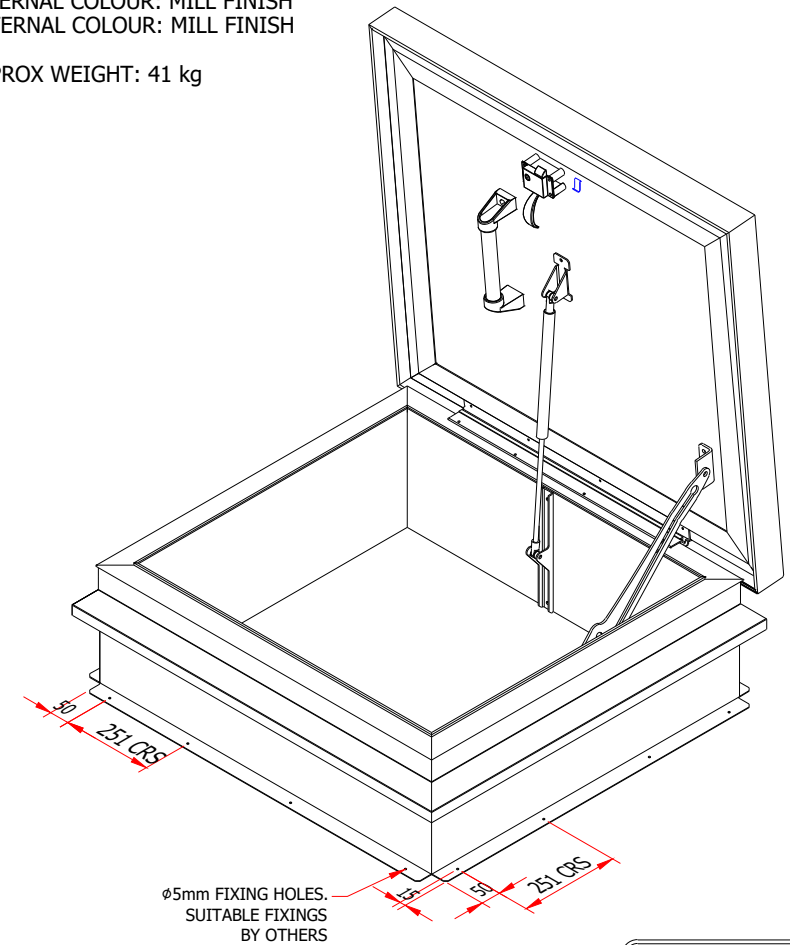
C



SRHP50
SIZE: 750 X 750 mm
UPSTAND HEIGHT: 300 mm
LOCKING OPTION: LO1 (INTERNAL CABLOCK)
LO2 (PADLOCKABLE TOGGLE LATCH) & LO4 (PADLOCKABLE
EXT HANDLE) : INCLUDED AS STANDARD IF REQUIRED
MATERIAL: ALUMINIUM
INSULATION: 50mm INSULATION

INTERNAL COLOUR: MILL FINISH
EXTERNAL COLOUR: MILL FINISH

APPROX WEIGHT: 41 kg



DRAWING MADE BY CAD
MANUAL CHANGES PROHIBITED

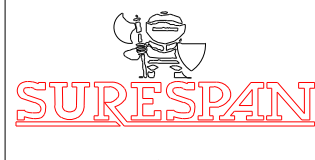
D

Copyright is claimed in this drawing and no copy may be made without prior written permission.

The article shown is also the subject of:

| |
|-----------------------------------|
| patent rights |
| registered design rights |
| unregistered rights |
| this drawing is a design document |
| patent pending |

WIND RESTRAINTS SHOULD BE SPECIFIED ON ALL ACCESS HATCHES SUBJECT TO HIGH WIND CONDITIONS
 THIS IS A MANUALLY OPERATED ACCESS HATCH/COVER & IT IS ESSENTIAL THAT SAFE MEANS OF ACCESS IS PROVIDED FOR THE OPERATOR



| | | | | |
|---|-------------------------------|----------------|----------------------------|---------------------------|
| Designed by SURESPAN | Checked by SURESPAN | Client | Project | Date 01.08.2020 |
| EXISTING LAW PROTECTS SURESPAN'S RIGHT OF POSSESSION TO THIS DRAWING. THE DESIGN OR THE DRAWING MUST NOT, WITHOUT PERMISSION OF THE COMPANY, BE PUBLISHED, COPIED, REPRODUCED MANUFACTURED OR EXPLOITED IN ANY OTHER UNAUTHORIZED WAY | | | SRHP50_750 x 750 mm | |
| STOCK SRHP50_750 x750 mm | | | Revision | Sheet 1 |

A

B

C

D