

SOLID INSULATED LID **SRHP/AOV**



SMOKE VENT - CE MARKED

SRHP/AOV

Standard features

- 50mm PIR Insulation **0.43 W/m²K**
- 50mm THERMAL BREAK
- 140° OPENING SOLID TOP OR DOME LID
- OFFSET MECHANISM FOR PERSONNEL ACCESS
- COMFORT VENTILATION

OPTIONAL

- 50mm **Non Combustible** Mineral Wool Insulation **0.63 W/m²K**

CUSTOM MADE TO ANY SIZE

EN12101-2 PERFORMANCE*

- Reliability 1,000 + 10,000 Comfort Ventilation
- Snow Load SL500
- Low Ambient Temp T (-15°)
- Wind Load WL1500
- Resistance to heat B300

* SRHP/AOV Only, other models may differ.

STOCK SIZES

SRHP/AOV

1050 x 1050, 1260 x 1260

BESPOKE SIZES

SRHE/AOV Solid Top

Bespoke Sizes 920 x 920

up to 1800 x 3000

SRHGE/AOV Aluminium Glazed

Bespoke Sizes up to 1400 x 3000

SD/AOV Polycarbonate Dome

Bespoke Sizes 900 x 900

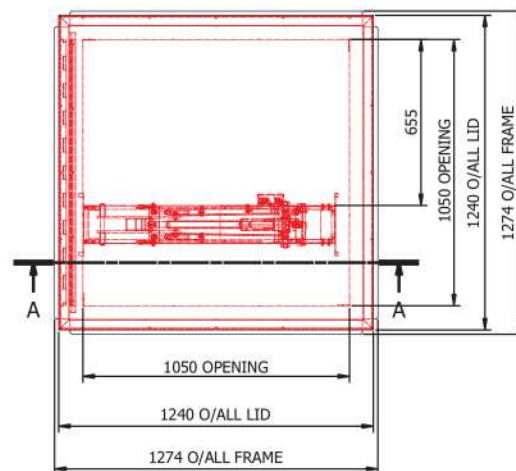
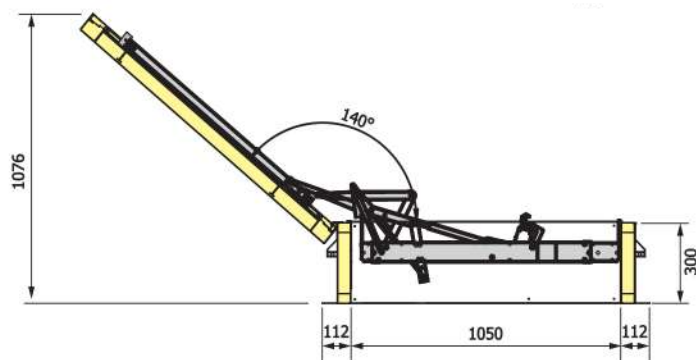
up to 1500 x 2500

INSULATION OPTIONS

50mm 0.43 W/m²K Polyisocyanurate Insulation

50mm 0.63 W/m²K Non-combustible Mineral Wool



SOLID INSULATED LID SRHP/AOV**DETAILS AND OVERVIEW****MATERIAL**

Aluminium with 50mm thermal break.

COVER

50mm (2") fully insulated kerb and lid, corner welded and reinforced. Aluminium wind deflectors.

CURB

300mm (12") in height with external curb liner, 50mm thermal break and 50mm polyisocyanurate insulation to 0.43 W/m²K U-value. Alternative 50 mm mineral wool insulation at no extra cost (0.63 W/m²K).

SEAL

Double unbroken bubble & blade seal to lid

OPERATION

24V DC/4A Actuator tested 10,000 opening and 1,000 comfort ventilation according tested to EN12101-2.

HINGES

Heavy duty continuous hidden hinge

FINISH

Mill finish aluminium, single or two colour powder coating optional

AOV SMOKE VENTILATORS

Size Structural Opening	EN12101-2 Free Airflow Aerodynamic Area (With Deflectors)	Approved Document B Geometric Area (Without Deflectors)
1050 x 1050 With Curb Liner	0.69m ²	1.03m ²
1260 x 1260 With Curb Liner	1.0m ²	1.51m ²

SOLID INSULATED LID SRHP/AOV

DETAILS AND OVERVIEW

Smoke ventilator for roof access and smoke ventilation.

Surespan SRHP/AOV 140° thermally broken aluminium smoke ventilator and roof hatch designed to EN12101-2. The AOV also offers push button comfort ventilation. The lid and upstand features a 50mm thermally broken section and fully insulate with 50mm CFC and HCFC free Polyisocyanurate insulation. Alternative non-combustible Mineral Wool insulation can be specified at no extra cost.

Manufacturer: Surespan Ltd. Leamore Close, Walsall, WS2 7NL.

Web: www.surespancovers.com. Tel: +44 (0)1922 711185. Product reference: SRHP25

Sizes

[600 x 600 mm].
 [750 x 750 mm].
 [750 x 900 mm].
 [900 x 900 mm].
 [1000 x 1000 mm].
 [1350 x 750 mm].

Product reference:

SRHP/AOV140

Type:

[Solid Aluminium Lid]
 [Polycarbonate Dome Lid]

Sizes:

[920 x 920]
 [1050 x 1050]
 [1200 x 1200]
 [1260 x 1260]
 [1300 x 1300]
 [-] - Bespoke size between 920 x 920 and 1050 x 1550

Material:

[Aluminium].- Mill finish as standard.

Upstand:

[300 mm with a 25mm thermal break and insulated]. - Standard.

Operation:

24V DC/4A Actuator
 24V DC Control Panel with 72 hour battery back up
 Max total load 8A / 24A / 30A / 32A
 48V DC Also Available.

Colour/ Finish:

Internal:
 [Polyester powder coating]. - Any RAL colour, insert requirements.
 - External:
 [Polyester powder coating]. - Any RAL colour, insert requirements.

Insulation Options:

[50 mm Non-Combustible mineral wool insulation (0.63 W/m²K)].

Controls:

[24v Control Centre]
 [Fireman's switch]
 [Key switch]
 [Push button]
 [Smoke detector]

