

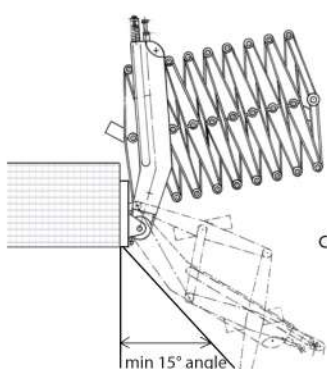
ZIP LADDER FITTING INSTRUCTIONS ZIP

Read and follow these instructions with care before you install the Zip ladder. (Units are heavy; safety should be observed at all times)

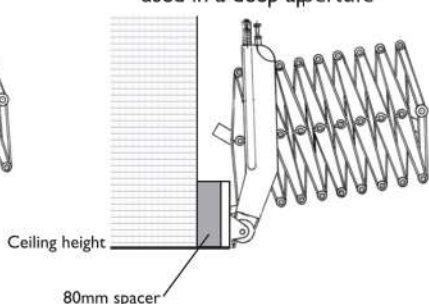
SPRING ADJUSTMENT TO FLOOR LEVEL

The folded Zip ladder is delivered attached to a wooden head board. On Zip 4 - 7 an 80mm spacer (not supplied by Surespan) is recommended behind the headboard in deep apertures.

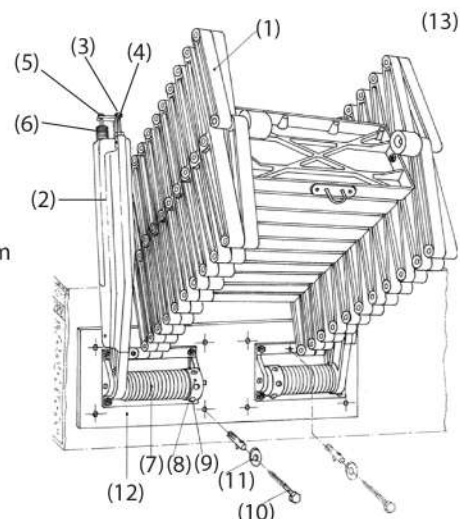
Standard fitting



80mm spacer required when used in a deep aperture



1. Scissor stair
2. Operating arm
3. Screw
4. Nut
5. Screw
6. Nut
7. Side spring
8. Spring tensioner
9. Locking pin Ø 10mm
10. Fixing screw
11. Washer
12. Head board
13. Ring pull

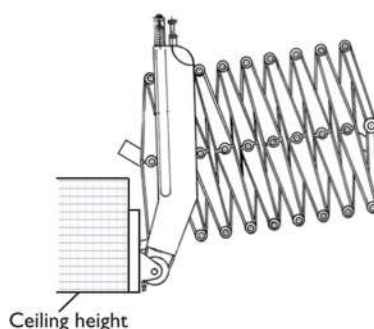


INSTALLATION

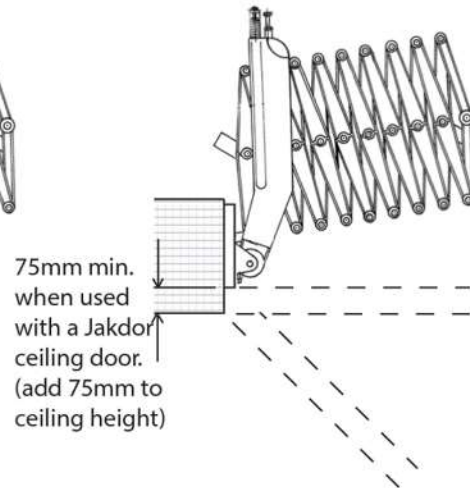
Fix the wooden head board (12) with suitable screws (10) (min. Ø 8 x 80) and washers (11) (min. 6 fixings) secure to the building. Use Rawplugs or similar fixing devices when fixing to brick, stone or concrete (fixings not supplied). The ladder must always be stored dry.

Note: Do not use the ladder until fully installed, after adjusting to correct floor resting position. Improper use or fixing of the ladder forfeits any guarantee.

WITHOUT A JAKDOR
CEILING DOOR



WITH A JAKDOR
CEILING DOOR



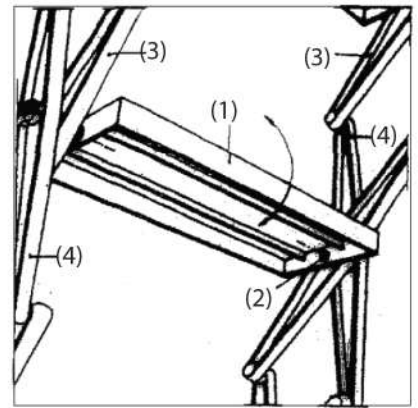
ADJUSTMENT OF RESTING POSITION AFTER FIXING

1. Pull the ladder down to the resting point you require.
2. Release the locking nut (4) and screw in the bolt (3) until it stops, retighten locking nut. This now restricts the resting point.

ADJUSTMENT OF TREADS

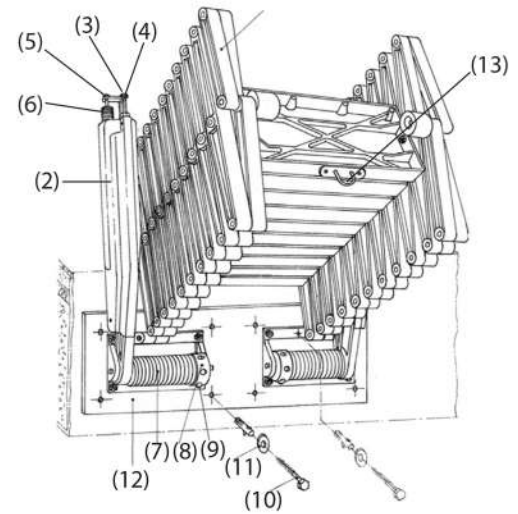
1. Lower Zip ladder into position for use.
2. Undo nuts (2) on the underside of each tread until you can turn all treads. Do not use the ladder.
3. Bring treads into horizontal position and tighten the nuts (2).

1. Tread
2. Nut
3. Inner scissor
4. Outer scissor



ADJUSTMENT OF DESCENT SPEED TO SLOW DOWN

1. Loosen nut (6). Tighten the spring by screwing in part (5) (make sure that the spring does not twist).
2. The cable and the pulley system should now be in line and parallel to the operating arm (2). The springs on both sides should be adjusted with equal force.
3. Now retighten nut (6).



TO SPEED UP

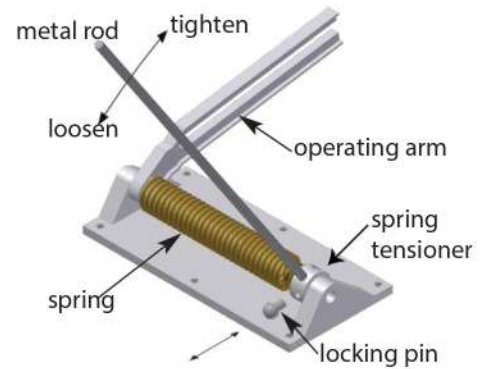
Reverse the above procedure but screwing out part (5)

TIGHTENING AND LOOSENING THE MAIN SPRING

This should only be necessary if the ladder is not supported by the main spring when in the closed position. Adjustment should only be made in the closed position.

NOTE! The main springs (7) are highly sprung - take extra care

1. Use a 10mm dia. x 300mm long metal rod (not supplied by Surespan) and insert it into a hole in the spring tensioner.
2. Turn the spring tensioner (8) upwards to take the tension and remove the locking pin (9):

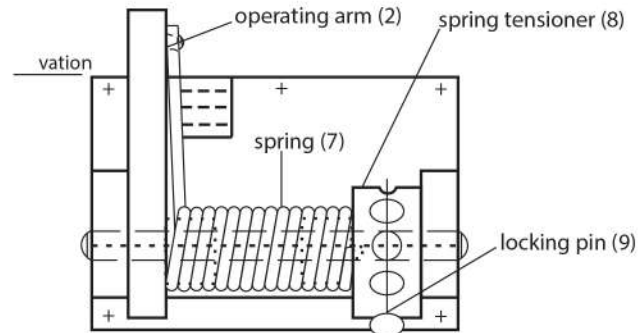


To tighten: rotate the spring tensioner (8) further upwards and insert the locking pin (9) in the next hole, make sure the locking pin (9) is secure before removing the metal rod.

To loosen: slowly release the tension by lowering the metal rod and insert the extracted locking pin (9) in the hole above, make sure the locking pin (9) is secure before removing the metal rod.

3. When the locking pin is in the correct hole, slowly release the tension with the metal rod.

4. Ensure that both springs (7) are adjusted to an equal tension



SEPERATE PARTS**Seperate parts delivered with the ladder**

Pull down operating pole.

Optional extras supplied seperately

Telescopic handrail to \geq minimum length aperture, 800mm.

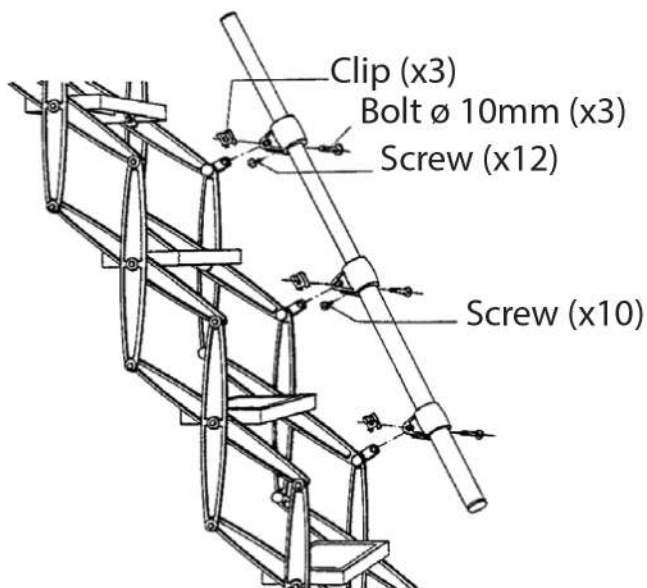
Wall mounted rungs (used as extra treads within aperture).

Safety

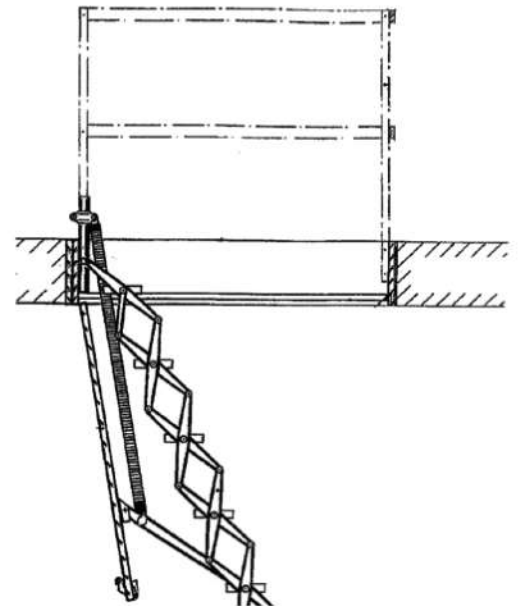
A 3-sided guard rail is recommended around the top of the ladder.

Vertical Ladder storage

For vertical ladder storage contact Surespan Sales Dept



Fixing of handrail (normal right side)



NOTE: ZIP LADDERS ARE FOR INTERNAL USE ONLY