

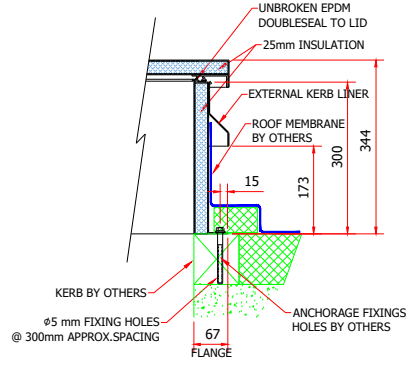
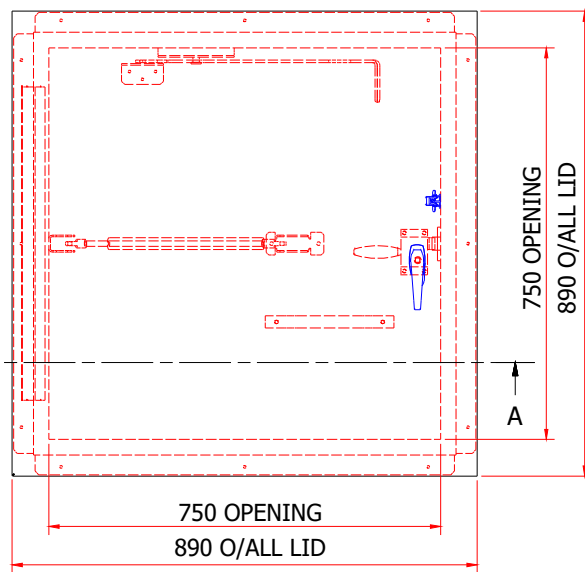
CONFIDENTIAL

DIMENSIONS IN mm UNLESS OTHERWISE SPECIFIED - IF IN DOUBT ASK

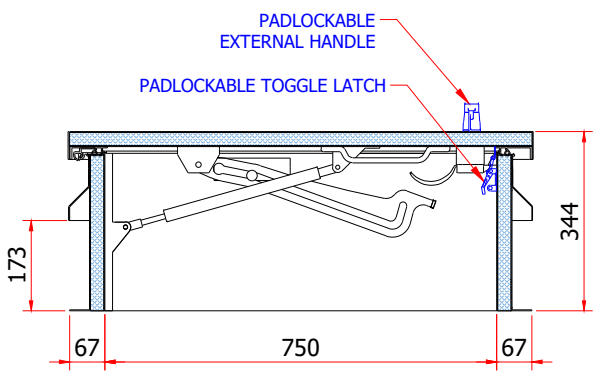
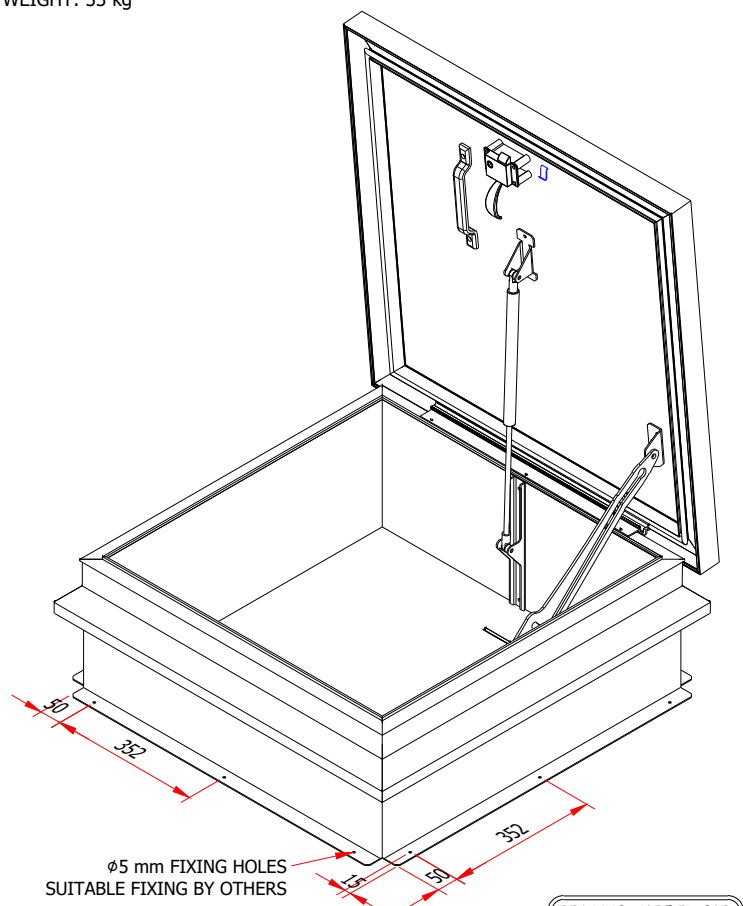
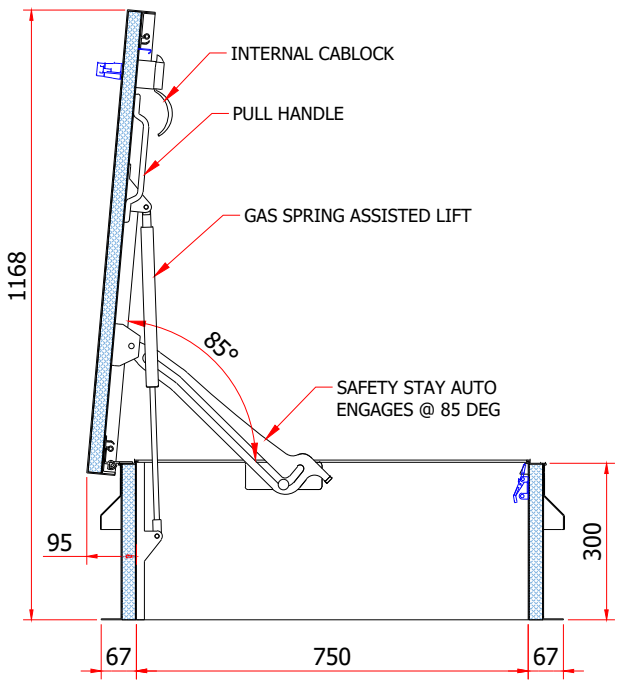
A

B

C



SRHP25  
 SIZE: 750 X 750 mm  
 UPSTAND HEIGHT: 300 mm  
 LOCKING OPTION: LO1 (INTERNAL CABLOCK)  
 LO2 (PADLOCKABLE TOGGLE LATCH) & LO4 (PADLOCKABLE EXT HANDLE) : INCLUDED AS STANDARD IF REQUIRED  
 MATERIAL: ALUMINIUM  
 INSULATION: 25mm INSULATION  
 INTERNAL COLOUR: MILL FINISH  
 EXTERNAL COLOUR: MILL FINISH  
 APPROX WEIGHT: 33 kg



A-A CLOSED VIEW

A-A OPEN VIEW

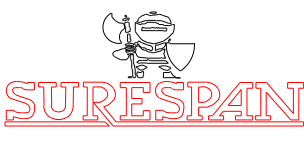
DRAWING MADE BY CAD  
MANUAL CHANGES PROHIBITED

Copyright is claimed in this drawing and no copy may be made without prior written permission.

The article shown is also the subject of:

patent rights
registered design rights
unregistered rights
this drawing is a design document
patent pending

WIND RESTRAINTS SHOULD BE SPECIFIED ON ALL ACCESS HATCHES SUBJECT TO HIGH WIND CONDITIONS  
 THIS IS A MANUALLY OPERATED ACCESS HATCH/COVER & IT IS ESSENTIAL THAT SAFE MEANS OF ACCESS IS PROVIDED FOR THE OPERATOR



Designed by <b>SURESPAN</b>	Checked by <b>SURESPAN</b>	Client ....	Project ....	Date <b>01.09.2020</b>
EXISTING LAW PROTECTS SURESPAN'S RIGHT OF POSSESSION TO THIS DRAWING. THE DESIGN OR THE DRAWING MUST NOT, WITHOUT PERMISSION OF THE COMPANY, BE PUBLISHED, COPIED, REPRODUCED MANUFACTURED OR EXPLOITED IN ANY OTHER UNAUTHORIZED WAY			<b>SRHP25_750 x 750 mm</b>	
STOCK SRHP25_750 x 750 mm			Revision	Sheet <b>1</b>

D

D