

CONFIDENTIAL

DIMENSIONS IN mm UNLESS OTHERWISE SPECIFIED - IF IN DOUBT ASK

A

B

C

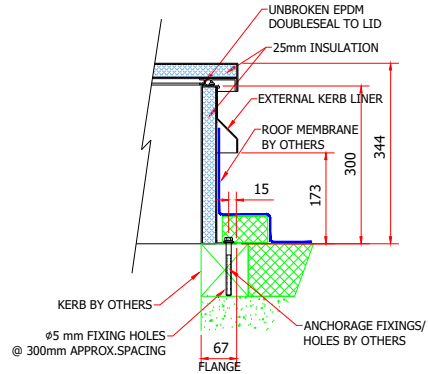
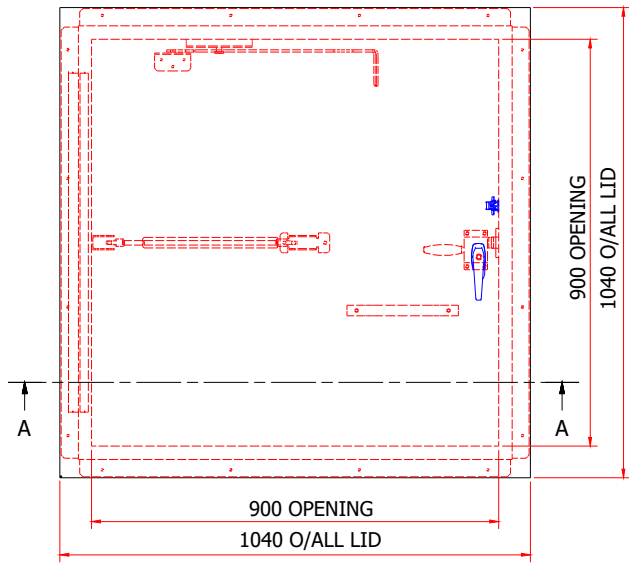
D

A

B

C

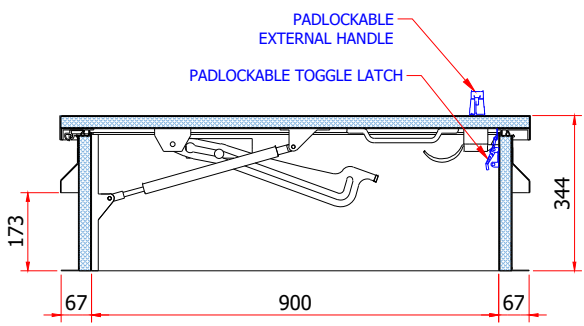
D



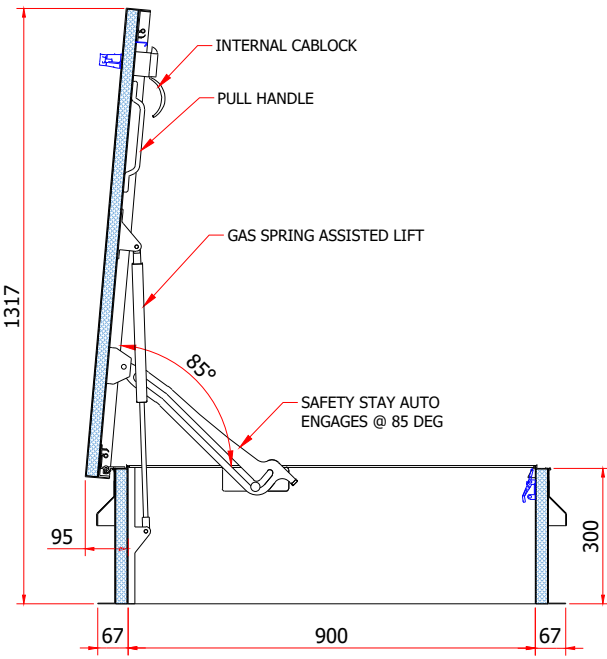
SRHP25
SIZE: 900 X 900 mm
UPSTAND HEIGHT: 300 mm
LOCKING OPTION: LO1 (INTERNAL CABLOCK)
LO2 (PADLOCKABLE TOGGLE LATCH) & LO4 (PADLOCKABLE EXT HANDLE) : INCLUDED AS STANDARD IF REQUIRED
MATERIAL: ALUMINIUM
INSULATION: 25mm INSULATION

INTERNAL COLOUR: MILL FINISH
EXTERNAL COLOUR: MILL FINISH

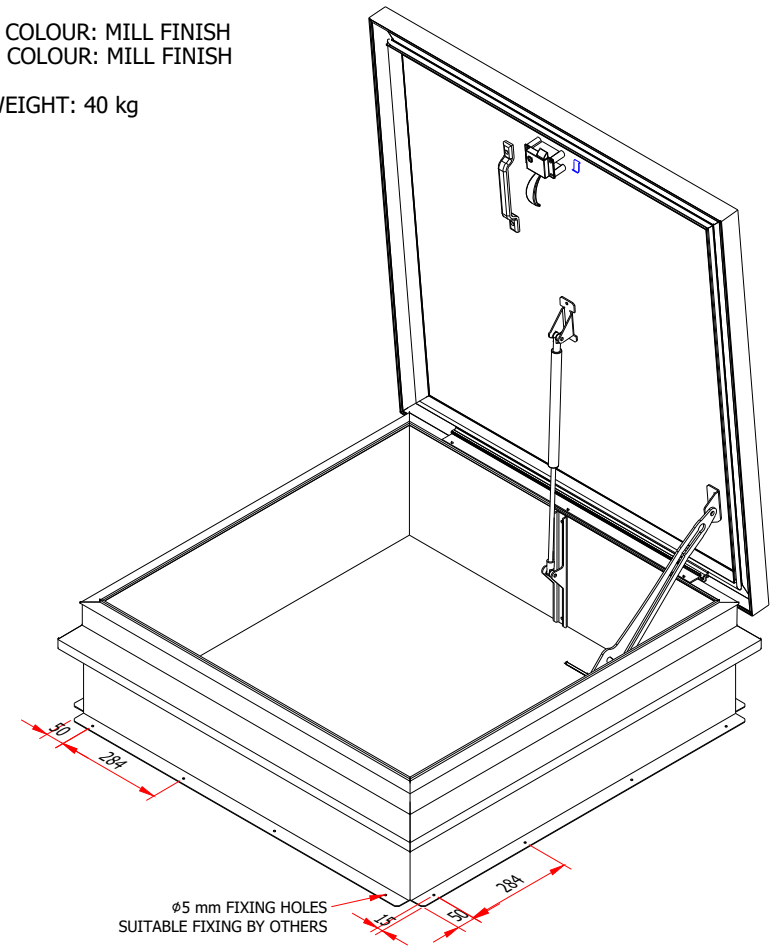
APPROX WEIGHT: 40 kg



A-A CLOSED VIEW



A-A OPEN VIEW



Ø5 mm FIXING HOLES SUITABLE FIXING BY OTHERS

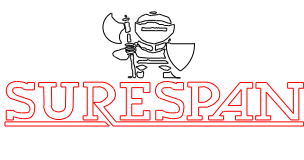
DRAWING MADE BY CAD
 MANUAL CHANGES PROHIBITED

Copyright is claimed in this drawing and no copy may be made without prior written permission.



The article shown is also the subject of:
 patent rights
 registered design rights
 unregistered rights
 this drawing is a design document
 patent pending

WIND RESTRAINTS SHOULD BE SPECIFIED ON ALL ACCESS HATCHES SUBJECT TO HIGH WIND CONDITIONS
 THIS IS A MANUALLY OPERATED ACCESS HATCH/COVER & IT IS ESSENTIAL THAT SAFE MEANS OF ACCESS IS PROVIDED FOR THE OPERATOR



Designed by
SURESPAN

Checked by
SURESPAN

Client

Project

Date
 01.09.2020

EXISTING LAW PROTECTS SURESPAN'S RIGHT OF POSSESSION TO THIS DRAWING. THE DESIGN OR THE DRAWING MUST NOT, WITHOUT PERMISSION OF THE COMPANY, BE PUBLISHED, COPIED, REPRODUCED MANUFACTURED OR EXPLOITED IN ANY OTHER UNAUTHORIZED WAY

SRHP25_900 x 900 mm		Revision	Sheet
STOCK SRHP25_900 x 900 mm			1