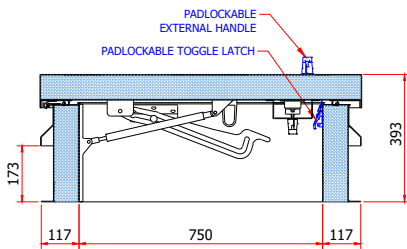
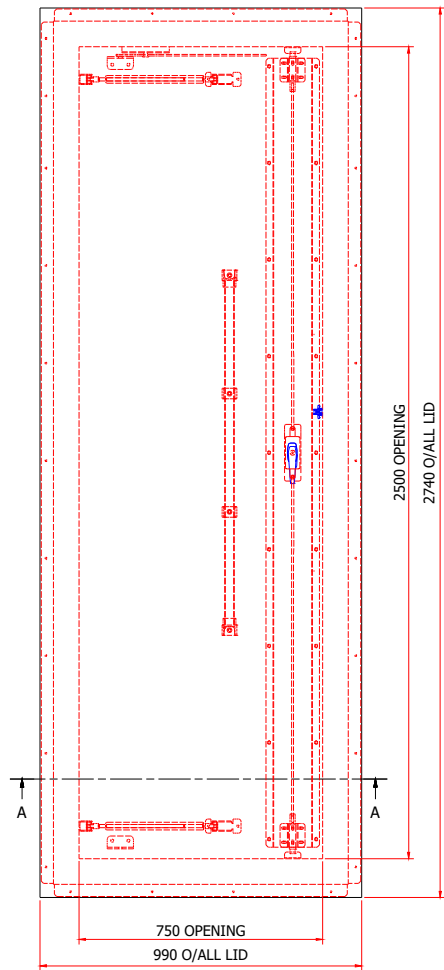
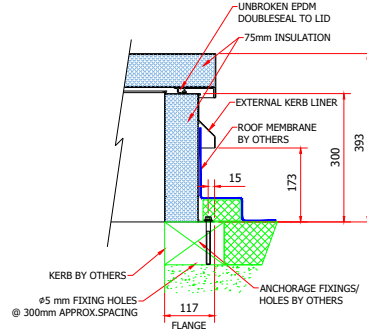


CONFIDENTIAL

DIMENSIONS IN mm UNLESS OTHERWISE SPECIFIED - IF IN DOUBT ASK



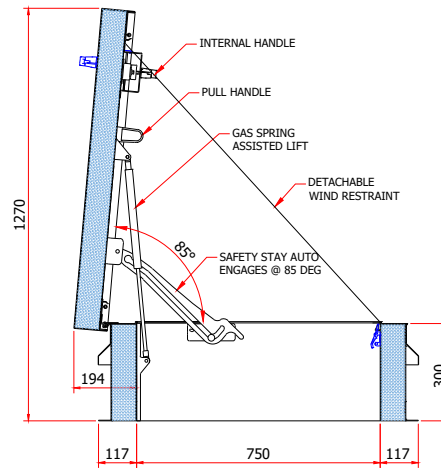
A-A CLOSED VIEW



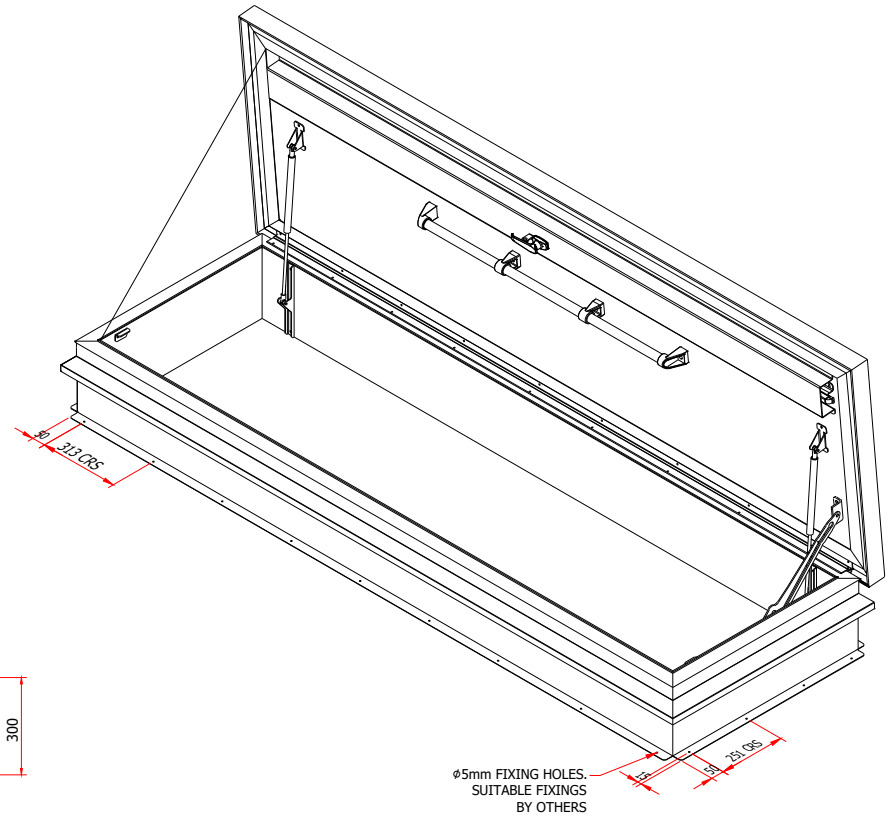
SRHP75  
 SIZE: 2500 X 750 mm  
 UPSTAND HEIGHT: 300 mm  
 LOCKING OPTION: LO1 (INTERNAL CABLOCK)  
 LO2 (PADLOCKABLE TOGGLE LATCH) & LO4 (PADLOCKABLE EXT HANDLE)  
 INCLUDED AS STANDARD IF REQUIRED  
 MATERIAL: ALUMINIUM  
 INSULATION: 75mm INSULATION

INTERNAL COLOUR: MILL FINISH  
 EXTERNAL COLOUR: MILL FINISH

APPROX WEIGHT: 105 kg



A-A OPEN VIEW



DRAWING MADE BY CAD  
MANUAL CHANGES PROHIBITED

Copyright is claimed in this drawing and no copy may be made without prior written permission.



The article shown is also the subject of:

- patent rights
- registered design rights
- unregistered rights
- this drawing is a design document patent pending

WIND RESTRAINTS SHOULD BE SPECIFIED ON ALL ACCESS HATCHES SUBJECT TO HIGH WIND CONDITIONS  
 THIS IS A MANUALLY OPERATED ACCESS HATCH/COVER & IT IS ESSENTIAL THAT SAFE MEANS OF ACCESS IS PROVIDED FOR THE OPERATOR



Designed by SURESPAN

Checked by SURESPAN

Client ....

Project ....

Date 01.09.2020

EXISTING LAW PROTECTS SURESPAN'S RIGHT OF POSSESSION TO THIS DRAWING. THE DESIGN OR THE DRAWING MUST NOT, WITHOUT PERMISSION OF THE COMPANY, BE PUBLISHED, COPIED, REPRODUCED MANUFACTURED OR EXPLOITED IN ANY OTHER UNAUTHORIZED WAY

SRHP75\_2500 x 750 mm

STOCK SRHP75\_2500 x 750 mm

Revision

Sheet 1