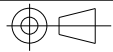
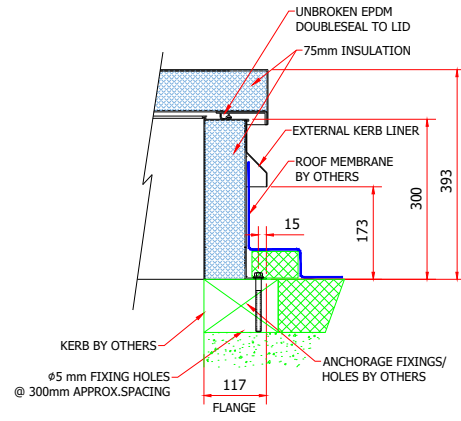
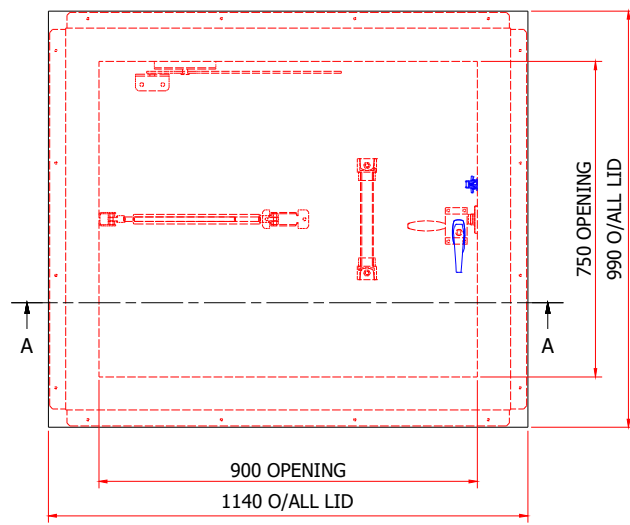


CONFIDENTIAL



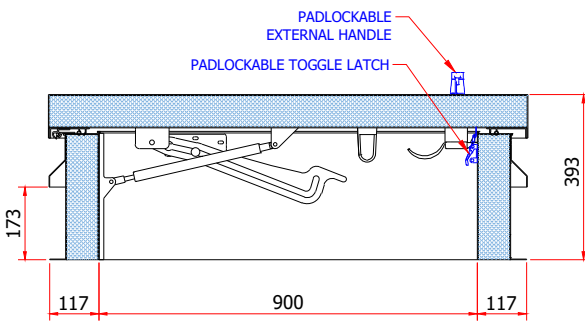
DIMENSIONS IN mm UNLESS OTHERWISE SPECIFIED - IF IN DOUBT ASK



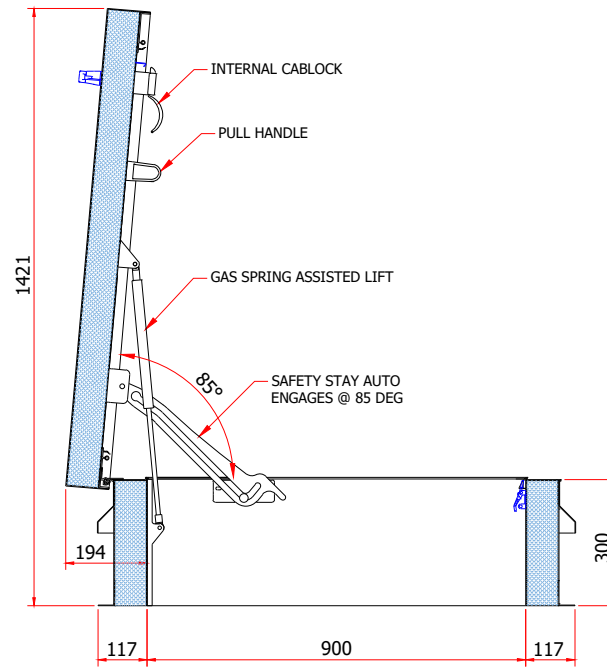
SRHP75
 SIZE: 750 X 900 mm
 UPSTAND HEIGHT: 300 mm
 LOCKING OPTION: LO1 (INTERNAL CABLOCK)
 LO2 (PADLOCKABLE TOGGLE LATCH) & LO4 (PADLOCKABLE EXT HANDLE)
 INCLUDED AS STANDARD IF REQUIRED
 MATERIAL: ALUMINIUM
 INSULATION: 75mm INSULATION

INTERNAL COLOUR: MILL FINISH
 EXTERNAL COLOUR: MILL FINISH

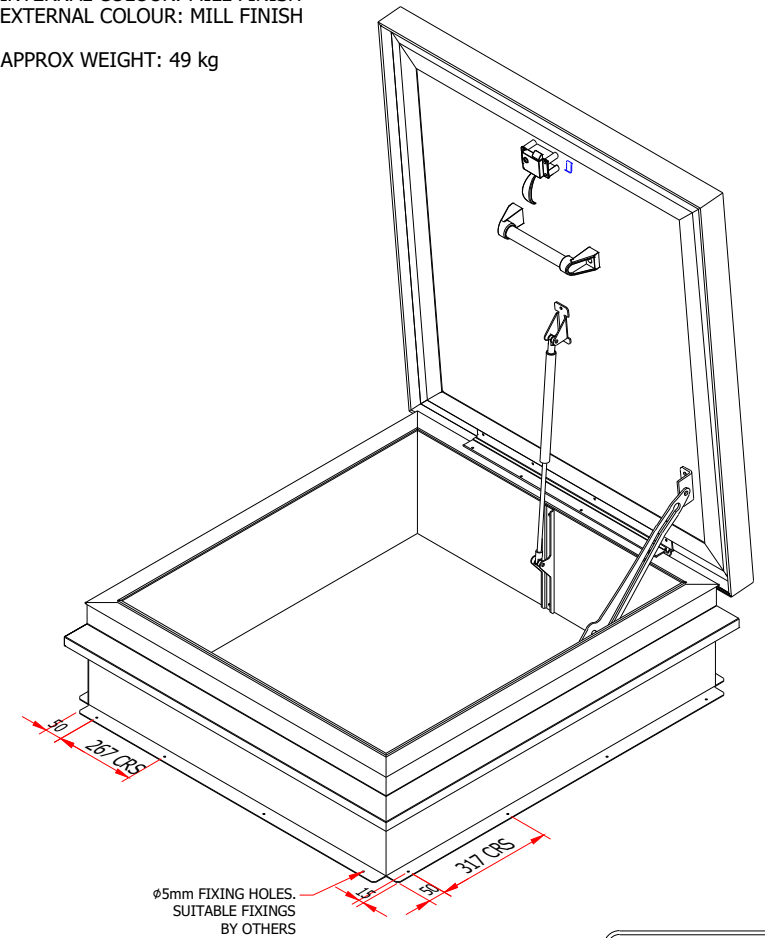
APPROX WEIGHT: 49 kg



A-A
CLOSED VIEW



A-A
OPEN VIEW



DRAWING MADE BY CAD
 MANUAL CHANGES PROHIBITED

Copyright is claimed in this drawing and no copy may be made without prior written permission.



The article shown is also the subject of:

patent rights
registered design rights
unregistered rights
this drawing is a design document
patent pending

WIND RESTRAINTS SHOULD BE SPECIFIED ON ALL ACCESS HATCHES SUBJECT TO HIGH WIND CONDITIONS
 THIS IS A MANUALLY OPERATED ACCESS HATCH/COVER & IT IS ESSENTIAL THAT SAFE MEANS OF ACCESS IS PROVIDED FOR THE OPERATOR



Designed by
SURESPAN

Checked by
SURESPAN

Client
....

Project
....

Date
01.09.2020

EXISTING LAW PROTECTS SURESPAN'S RIGHT OF POSSESSION TO THIS DRAWING. THE DESIGN OR THE DRAWING MUST NOT, WITHOUT PERMISSION OF THE COMPANY, BE PUBLISHED, COPIED, REPRODUCED MANUFACTURED OR EXPLOITED IN ANY OTHER UNAUTHORIZED WAY

SRHP75_750 x 900 mm

STOCK SRHP75_750 x 900 mm

Revision

Sheet

1