



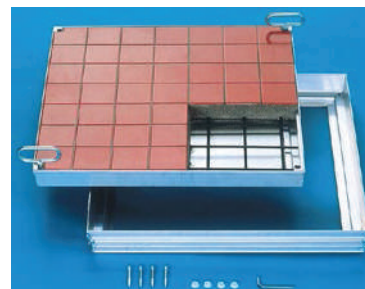
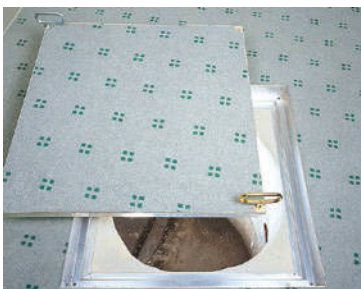
Loading Capacity: 125 kN test load (per EN124) when filled with grade C35/45 Concrete (EN 206)

Materials: Frame and cover sections in extruded aluminium. Stainless steel screws.

Features: Sealed access cover in high-quality finish. Easy-to-open design accommodates a variety of flooring tiles and ceramic finishes up to a thicknesses 15mm. Complete with EPDM seal. The cover is reinforced with a clamped steel mesh reinforcement.

Fire Test Certificate: Certificate issued by the Institute for Fire Protection Technology and Safety Research (IBS) confirms that Type SBVA resists a fire for 60 minutes and this significantly contributes to safety in the event of a fire.

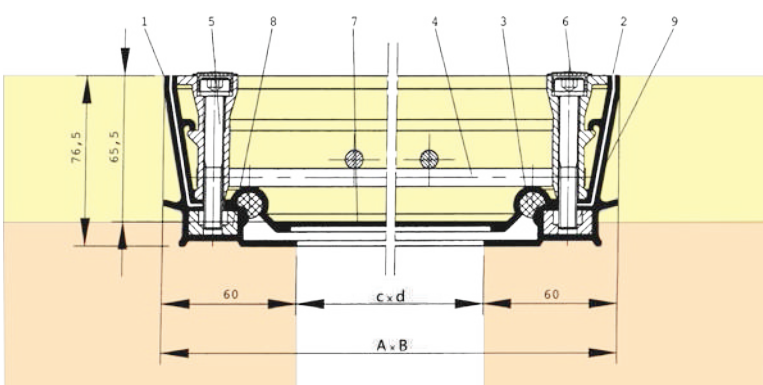
Note: Cover must be filled with concrete to maintain the fire rating. Allowing 15mm max for flooring.



Lift Open System: SureCover SBVA comes with a set of lifting keys and precise installation instructions. Jammed covers are released by simply turning the Brass Key provided.

Applications: Inside buildings where an aesthetically pleasing finish is required with minimal visible trim.

Installation: Installation must be carried out according to instructions. With water-tight models, care must be taken to seal the outer frame into the surrounding flooring and to fill the cover with water-tight concrete.



- 1 Frame
- 2 Cover
- 3 Seal
- 4 Reinforcement
- 5 Allen Screw

- 6 Plastic Cap
- 7 Base plate
- 8 Die cast corner
- 9 Square boss

Product Reference	Clear Opening (mm)		Outside Dimensions (mm)		Weight (Kg)
	c	d	A	B	
SBVA 22	200	X 200	320	X 320	3
SBVA 33	300	X 300	420	X 420	5
SBVA 44	400	X 400	520	X 520	7
SBVA 45	450	X 450	570	X 570	8
SBVA 55	500	X 500	620	X 620	9
SBVA 64	600	X 600	720	X 520	9
SBVA 66	600	X 600	720	X 720	10
SBVA 635	635	X 635	755	X 755	11
SBVA 77	700	X 700	820	X 820	12
SBVA 86	800	X 600	920	X 720	12
SBVA 88	800	X 800	920	X 920	15
SBVA 106	1000	X 600	1120	X 720	15
SBVA 108	1000	X 800	1120	X 920	21
SBVA 110	1000	X 1000	1120	X 1120	23