



Type SBVE in use in a food processing plant

Loading Capacity: 125 kN test load (per EN124) when filled with grade C35/45 Concrete (EN 206)

Materials: Grade 304 stainless steel. Passivated after welding. Also available in grade 316 stainless steel on request

Features: Accurately manufactured fully sealed access covers. Tapered design allows easy opening. Virtually invisible when installed. EPDM seal.

Lift Open System: SureCover SBVE comes with a set of lifting keys and precise installation instructions. Jammed covers are released by simply turning the Brass Key provided.

Applications: Applications: Inside buildings or their surroundings, where exceptionally high standards are needed or where the hygienic properties of stainless steel are preferred, e.g. in the food industry, in meat-processing areas, dairies, hospitals, swimming pools.

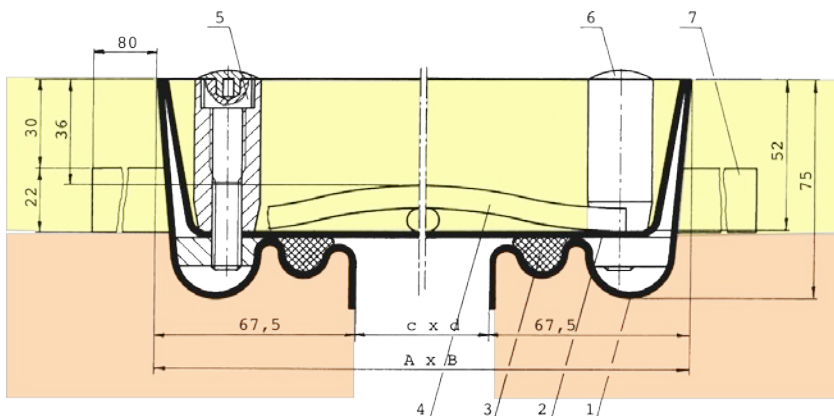
For indoor swimming pools only use grade 316 material!

Installation: Installation must be carried out according to our instructions. With water-tight models, care must be taken to seal the outer frame into the surrounding flooring.



Web Link:

<https://surespancovers.com/surecover>



- 1 Frame
- 2 Cover
- 3 Seal
- 4 Reinforcement

- 5 Allen Screw
- 6 Plastic Cap
- 7 Anchor

Product Reference	Clear Opening	Outside Dimensions	Weight
	(≈ mm) c x d	(≈ mm) A x B	
SBVE 22	200 x 200	335 x 335	6 kg
SBVE 33	300 x 300	435 x 435	9 kg
SBVE 44	400 x 400	535 x 535	13 kg
SBVE 55	500 x 500	635 x 635	17 kg
SBVE 64	600 x 400	735 x 535	16 kg
SBVE 66	600 x 600	735 x 735	20 kg
SBVE 635	635 x 635	770 x 770	21 kg
SBVE 77	700 x 700	835 x 835	26 kg
SBVE 86	800 x 600	935 x 735	24 kg
SBVE 88	800 x 800	935 x 935	30 kg
SBVE 106	1000 x 600	1135 x 735	29 kg
SBVE 108	1000 x 800	1135 x 935	33 kg
SBVE 110	1000 x 1000	1135 x 1135	40 kg