



Loading Capacity: 125 kN test load (per EN124) when filled with grade C35/45 Concrete (EN 206)

Materials: Frame and cover in 2 mm galvanised steel profiles. Hot-dip galvanised

Features: Accurately manufactured sealed access covers. Tapered design allows easy opening. Virtually invisible when installed. EPDM seal. Robust steel mesh reinforcement.

Fire Test Certificate: certificate issued by the Institute for Fire Protection Technology and Safety Research (IBS) confirms that Type SBV resists a fire for 30 minutes and this significantly contributes to safety in the event of a fire.

Lift Open System: SureCover SBV comes with a set of lifting keys and precise installation instructions. Jammed covers are released by simply turning the Brass Key provided.

Applications: Inside buildings or their surroundings, where sealed covers are required.

Installation: Installation must be carried out according to our instructions. With water-tight models, care must be taken to seal the outer frame into the surrounding flooring.



Web Link:

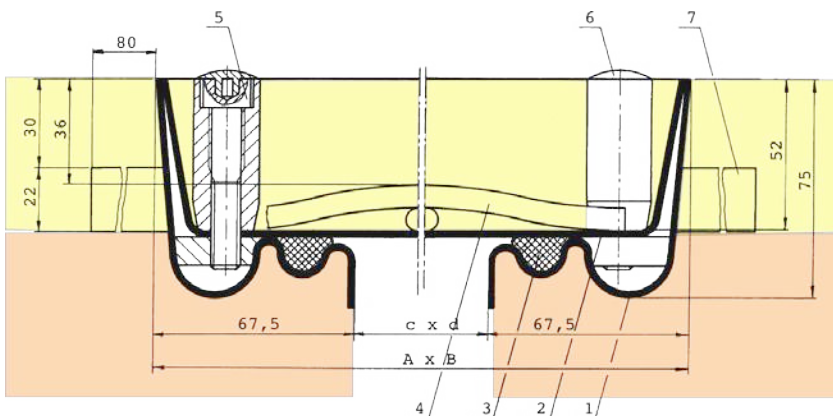
<https://surespancovers.com/surecover>



Type SBV partially filled with tiles



Type SBV in a cafe floor with granite finish.



- 1 Frame
- 2 Cover
- 3 Seal
- 4 Reinforcement

- 5 Allen Screw
- 6 Plastic Cap
- 7 Anchor

Product Reference	Clear Opening	Outside Dimensions	Weight
	(≈ mm)	(≈ mm)	
	c x d	A x B	
SBV 33	300 x 300	435 x 435	10 kg
SBV 44	400 x 400	535 x 535	13 kg
SBV 45	450 x 450	585 x 585	16 kg
SBV 55	500 x 500	635 x 635	17 kg
SBV 64	600 x 400	735 x 535	17 kg
SBV 66	600 x 600	735 x 735	21 kg
SBV 635	635 x 635	770 x 770	22 kg
SBV 77	700 x 700	835 x 835	27 kg
SBV 86	800 x 600	935 x 735	27 kg
SBV 88	800 x 800	935 x 935	31 kg
SBV 106	1000 x 600	1135 x 735	31 kg
SBV 108	1000 x 800	1135 x 935	37 kg
SBV 110	1000 x 1000	1135 x 1135	42 kg