



Loading Capacity: 125 kN test load (per EN124) when filled with grade C35/45 Concrete (EN 206)

Materials: Frame and cover made of 2 mm cold-formed precision steel profiles, hot-dip galvanised. Stainless steel hinges. High-specification gas strut(s).

Features: Comfort-lift access cover. Smell proof, largely water-tight (not guaranteed to be completely water-tight). EPDM seal. Opening tools included. Opening is assisted by the gas strut(s) to such an extent that the cover can be opened and closed by one person. Safety device fitted to prevent the open cover from closing.

Lift Open System: SureCover SBV-GD comes with a set of lifting keys and precise installation instructions. Jammed covers are released by simply turning the Brass Key provided.

Applications: As a cover over installations that need to be opened frequently, without particular effort. Particularly for inspection chambers.

Installation: Installation must be carried out according to our instructions. With water-tight models, care must be taken to seal the outer frame into the surrounding flooring.

Important note: The gas strut(s) are not installed for transport-related reasons. These should be installed after the cover and frame have been installed and filled (concrete must be set), in the open position in accordance with installation instructions.



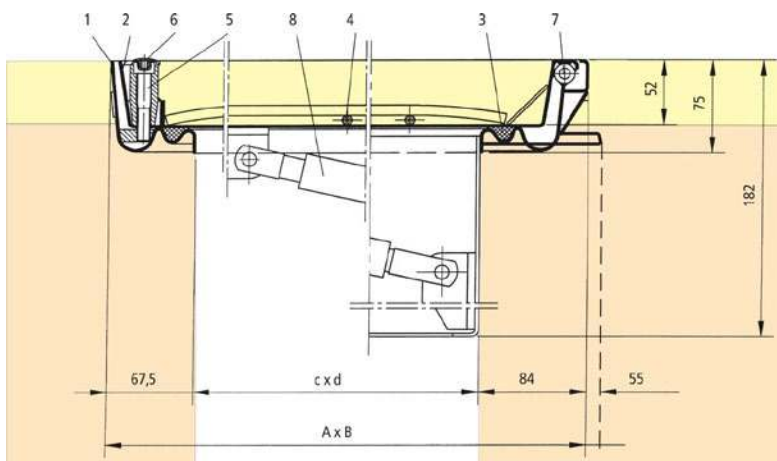
Underside of **Type SBV-GD**

Type SBV-GD built into terrace



Web Link:

<https://surespancovers.com/surecover>



- 1 Frame
- 2 Cover
- 3 Seal
- 4 Reinforcement

- 5 Allen Screw
- 6 Plastic Cap
- 7 Hinge
- 8 Gas Strut

Product Reference	Clear Opening	Outside Dimensions	Weight
	(≈ mm) c x d	(≈ mm) A x B	
SBV-GD 44	400 x 400	535 x 551.5	20 kg
SBV-GD 55	500 x 500	635 x 651.5	24 kg
SBV-GD 66	600 x 600	735 x 751.5	29 kg
SBV-GD 86	800 x 600	935 x 751.5	36 kg
SBV-GD 88	800 x 800	935 x 951.5	42 kg
SBV-GD 106	1000 x 600	1135 x 751.5	40 kg
SBV-GD 108	1000 x 800	1135 x 951.5	45 kg
SBV-GD 110	1000 x 1000	1135 x 1151.5	55 kg

Number of gas struts

Size: 600 x 600		Size: 1000 x 600	2
Size: 800 x 600		Size: 1000 x 1000	
Size: 800 x 800			