



Loading Capacity: 15 kN test load (per EN124)

Materials: frame and cover in 2mm cold formed precision steel profiles, hot-dip galvanised.

Features: Sealed. Cover with an installation depth of only 5 cm. Particularly suitable for situations where greater installation depth is not available. The bottom of the cover is reinforced. EPDM seal. Tapered design allows easy opening. Steel reinforcement guarantees good adhesion between the concrete infill and the bottom of the cover.

Lift Open System: SureCover SBV- Shallow comes with a set of lifting keys and precise installation instructions. Jammed covers are released by simply turning the Brass Key provided.

Applications: For pedestrian use inside buildings and their surroundings.

Installation: Installation must be carried out according to our instructions. With water-tight models, care must be taken to seal the outer frame into the surrounding flooring.

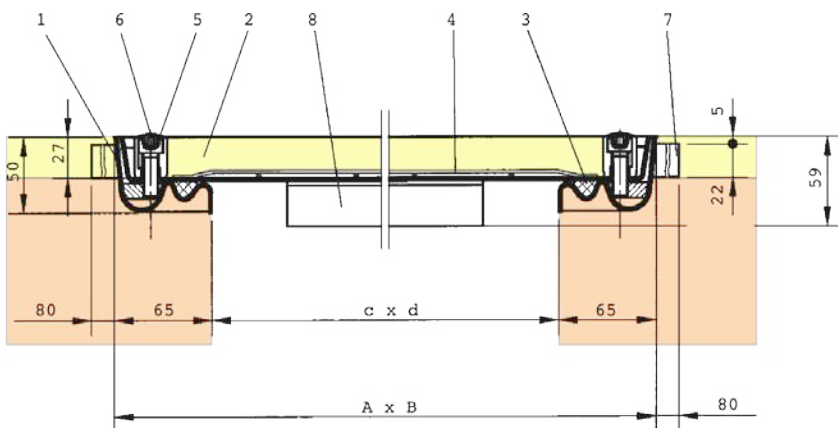


Type SBV Shallow
The bottom of the cover is reinforced



Web Link:
<https://surespancovers.com/surecover>

Product Reference	Clear Opening	Outside Dimensions	Weight
	(≈ mm) c x d	(≈ mm) A x B	
SBV - Shallow 22	200 x 200	330 x 330	5 kg
SBV - Shallow 33	300 x 300	430 x 430	8 kg
SBV - Shallow 44	400 x 400	530 x 530	12 kg
SBV - Shallow 55	500 x 500	630 x 630	15 kg
SBV - Shallow 64	600 x 400	730 x 530	15 kg
SBV - Shallow 66	600 x 600	730 x 730	19 kg
SBV - Shallow 86	800 x 600	930 x 730	24 kg
SBV - Shallow 88	800 x 800	930 x 930	28 kg



- 1 Frame
- 2 Cover
- 3 Seal
- 4 Reinforcement

- 5 Allen Screw
- 6 Plastic Cap
- 7 Anchor
- 8 Reinforcement