



Loading Capacity: 125 kN test load (per EN124) when filled with grade C35/45 Concrete (EN 206)

Materials: Frame and cover sections in extruded aluminium. Stainless steel screws.

Features: Sealed access cover in high-quality finish. Easy-to-open design accommodates a variety of flooring tiles and ceramic finishes up to a thicknesses 15mm. Complete with EPDM seal. The cover is reinforced with a clamped steel mesh reinforcement.

Fire Test Certificate: certificate issued by the Institute for Fire Protection Technology and Safety Research (IBS) confirms that Type SBVA resists a fire for 60 minutes and this significantly contributes to safety in the event of a fire.

Lift Open System: SureCover SBVA comes with a set of lifting keys and precise installation instructions. Jammed covers are released by simply turning the Brass Key provided.

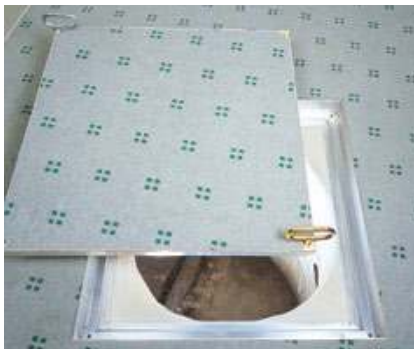
Applications: Inside buildings where an aesthetically pleasing finish is required with minimal visible trim.

Installation: Installation must be carried out according to instructions. With water-tight models, care must be taken to seal the outer frame into the surrounding flooring and to fill the cover with water-tight concrete.

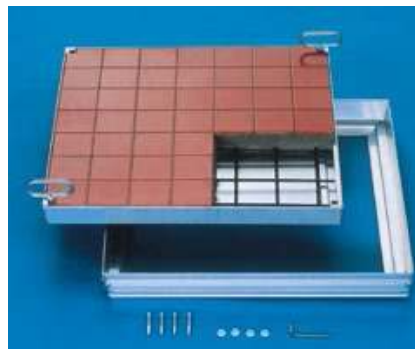


Web Link:

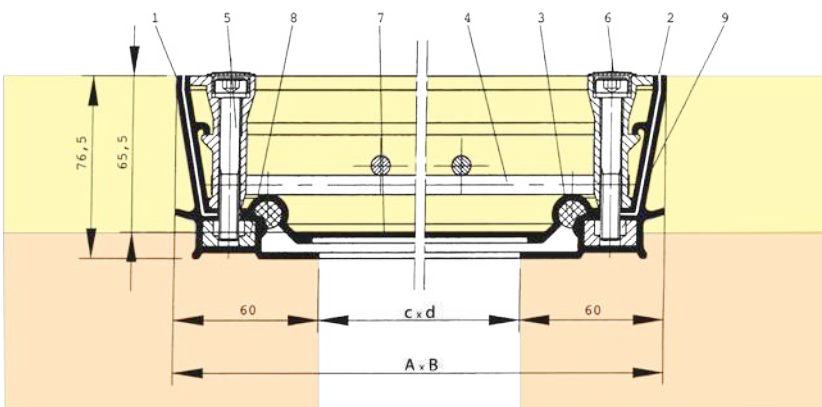
<https://surespancovers.com/surecover>



Type SBVA installed in a office (over a manhole), in a carpeted area.



Type SBVA partially filled with tiles.



- 1 Frame
- 2 Cover
- 3 Seal
- 4 Reinforcement
- 5 Allen Screw

- 6 Plastic Cap
- 7 Base plate
- 8 Die cast corner
- 9 Square boss

Product Reference	Clear Opening	Outside Dimensions	Weight
	(≈ mm) c x d	(≈ mm) A x B	
SBVA 22	200 x 200	320 x 320	3 kg
SBVA 33	300 x 300	420 x 420	5 kg
SBVA 44	400 x 400	520 x 520	7 kg
SBVA 45	450 x 450	570 x 570	8 kg
SBVA 55	500 x 500	620 x 620	9 kg
SBVA 64	600 x 400	720 x 520	9 kg
SBVA 66	600 x 600	720 x 720	10 kg
SBVA 635	635 x 635	755 x 755	11 kg
SBVA 77	700 x 700	820 x 820	12 kg
SBVA 86	800 x 600	920 x 720	12 kg
SBVA 88	800 x 800	920 x 920	15 kg
SBVA 106	1000 x 600	1120 x 720	15 kg
SBVA 108	1000 x 800	1120 x 920	21 kg
SBVA 110	1000 x 1000	1120 x 1120	23 kg