



**Loading Capacity:** 250 kN test load (per EN124) when filled with grade C35/45 Concrete (EN 206)

**Materials:** Frame and cover made of steel plate, hot-dip galvanised.

**Features:** Heavy duty sealed cover. Underside of cover reinforced with steel I-beam section. Robust steel mesh reinforcement. EPDM seal. Tapered design allows easy opening.

**Lift Open System:** SureCover SBVS-250 comes with a set of lifting keys and precise installation instructions. Jammed covers are released by simply turning the Brass Key provided.

**Applications:** For vehicle traffic areas in industrial buildings and their surrounding areas, where the cover needs to be heavy duty.

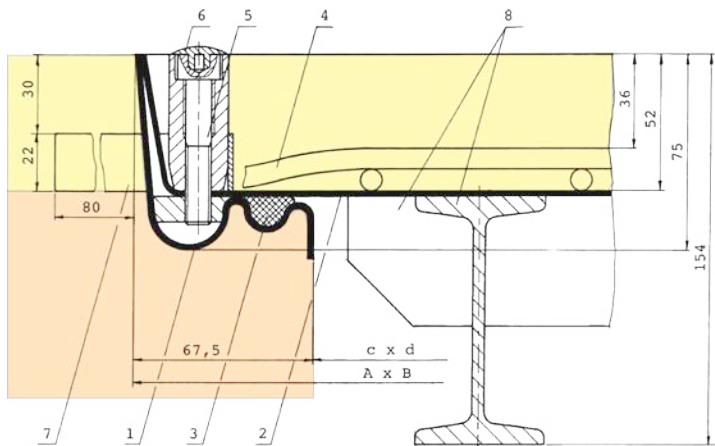
**Installation:** Installation must be carried out according to our instructions. With water-tight models, care must be taken to seal the outer frame into the surrounding flooring.



**Type SBVS-250**  
The bottom of the cover is reinforced with IPE-beam section and flat steel



**Web Link:**  
<https://surespancovers.com/surecover>



- 1 Frame
- 2 Cover
- 3 Seal
- 4 Reinforcement
- 5 Allen Screw
- 6 Plastic Cap
- 7 Reinforcing frame (only with SBVHS 400)
- 8 Reinforcement

Product Reference	Clear Opening (≈ mm) c x d	Outside Dimensions (≈ mm) A x B	Weight
SBVS 250 / 44	400 x 400	535 x 535	17 kg
SBVS 250 / 55	500 x 500	635 x 635	26 kg
SBVS 250 / 64	600 x 400	735 x 535	25 kg
SBVS 250 / 66	600 x 600	735 x 735	31 kg
SBVS 250 / 86	800 x 600	935 x 735	38 kg
SBVS 250 / 88	800 x 800	935 x 935	52 kg
SBVS 250 / 106	1000 x 600	1135 x 735	52 kg
SBVS 250 / 108	1000 x 800	1135 x 935	66 kg
SBVS 250 / 110	1000 x 1000	1135 x 1135	78 kg