



Loading Capacity: 15 kN test load (per EN124)

Materials: Frame in extruded aluminium. Cover in extruded aluminium bonded to a composite aluminium honeycomb panel (with a white coating). Stainless steel screw connections. EPDM seal

Features: Modern lightweight-construction access cover. The cover is lifted by the hinge, significantly reducing the effort required. A safety device is fitted, locking the cover in the raised position. As the cover is not filled with concrete, installation is quicker and simpler. There is a recess of 24mm for laying slabs, tiles, parquet etc. In the case of thin tiles, the difference in height can be compensated for by using a suitable tile adhesive (MAPEI Keralastic) and waterproof building board. Sealed design with a very high-quality finish.

Lift Open System: SureCover SCCA comes with a set of lifting keys and precise installation instructions. Jammed covers are released by simply turning the Brass Key provided.

Applications: As a cover inside buildings which can be opened by one person.

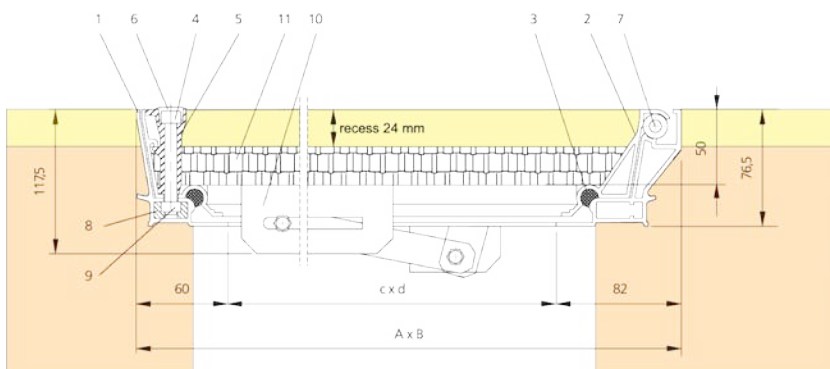
Installation: Installation should be carried out according to our installation instructions. In the case of water tight covers, care must be taken to seal the outer frame into the surrounding floor. Attach slabs or tiles fully (over the whole surface) with a suitable tile adhesive (MAPEI Keralastic). In the case of thin tiles or slabs, use waterproof building board to compensate for the difference in height.



Detailed view of the safety device The cover is lifted by the hinge, significantly reducing the effort required.



Web Link:
<https://surespancovers.com/surecover>



- | | |
|-------------------|---------------------------------------------------|
| 1 Frame | 6 Plastic cap |
| 2 Cover | 7 Hinge |
| 3 Seal | 8 Injection-moulded part |
| 4 Allen Screw | 9 Square boss |
| 5 Die-cast corner | 10 Safety device |
| | 11 Aluminium honeycomb plate (with white coating) |

Product Reference	Clear Opening	Outside Dimensions	Weight
	(≈ mm) c x d	(≈ mm) A x B	
SCCA 55	500 x 500	620 x 620	10 kg
SCCA 64	600 x 400	720 x 540	10 kg
SCCA 66	600 x 600	720 x 740	12 kg
SCCA 77	700 x 700	820 x 840	14 kg
SCCA 86	800 x 600	920 x 740	14 kg
SCCA 88	800 x 800	920 x 940	17 kg
SCCA 106	100 x 600	1120 x 740	17 kg