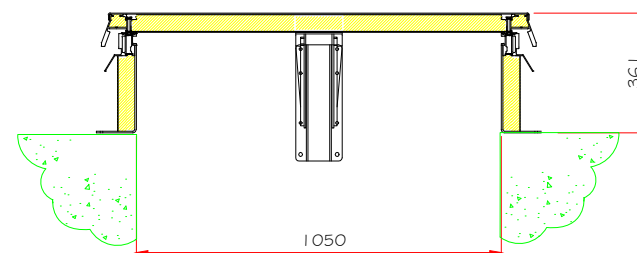
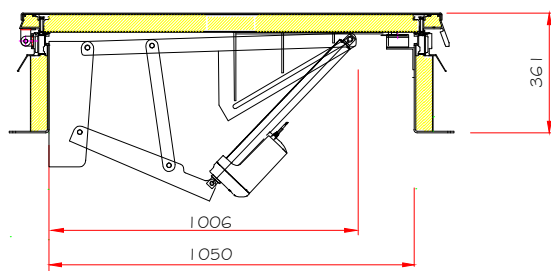
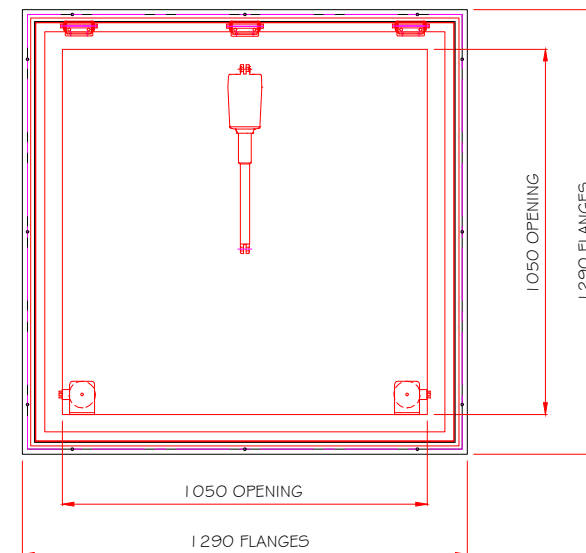
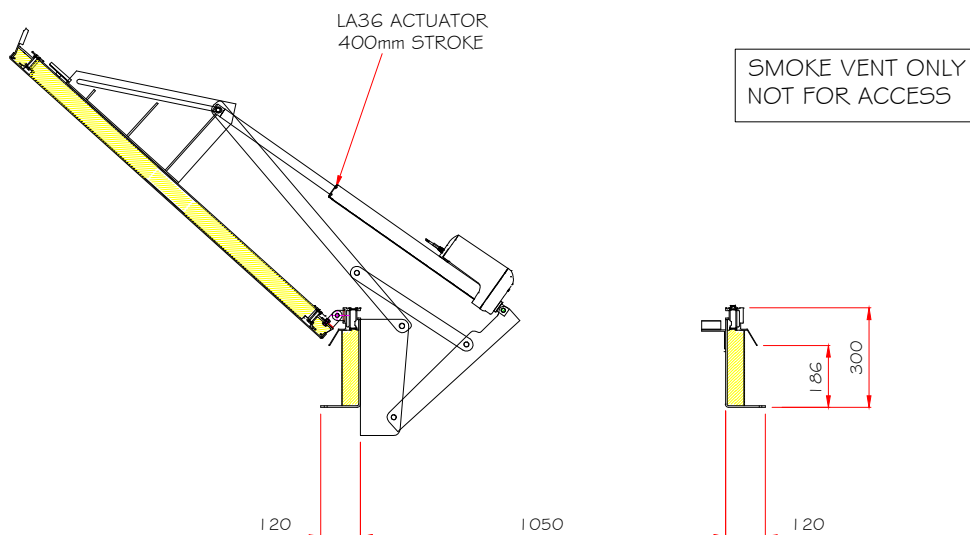


CONFIDENTIAL




THE INTERFACE OF THIS ACCESS HATCH WITH THE ROOFING STRUCTURE, WEATHERING AND WITH ANY OTHER RELATED INTERFACE SUCH AS LADDERS, STAIRWAYS ETC IS OUTSIDE THE RESPONSIBILITY OF SURESPAN. IF IN DOUBT PLEASE SEEK CLARIFICATIONS

Copyright is claimed in this drawing and no copy may be made without prior written permission

The article shown is also the subject of	
patent rights	✓
registered design right	✓
unregistered rights	✓
The drawing is a design document	✓
patent pending	✓

THIS IS A ELECTRICALLY OPERATED ACCESS HATCHCOVER AND IT IS ESSENTIAL THAT SAFE MEANS OF ACCESS IS PROVIDED FOR THE OPERATOR

ITEM NO	NO OFF	DRG NO.	ITEM MASS	DENOMINATION	MATERIAL	REMARKS
Existing law protects SURESPAN'S right of possession to this drawing. The design of the drawing must not, without permission of the company, be copied, reproduced, manufactured or exploited in any other unauthorized way.				SRH/AOV - 140° 1050 x 1050 Solid & Glazed		
				CONTRACT NO. _____		REV No _____
				DRAWING NO. _____		

DRAWING MADE BY CAD
MANUAL CHANGES PROHIBITED