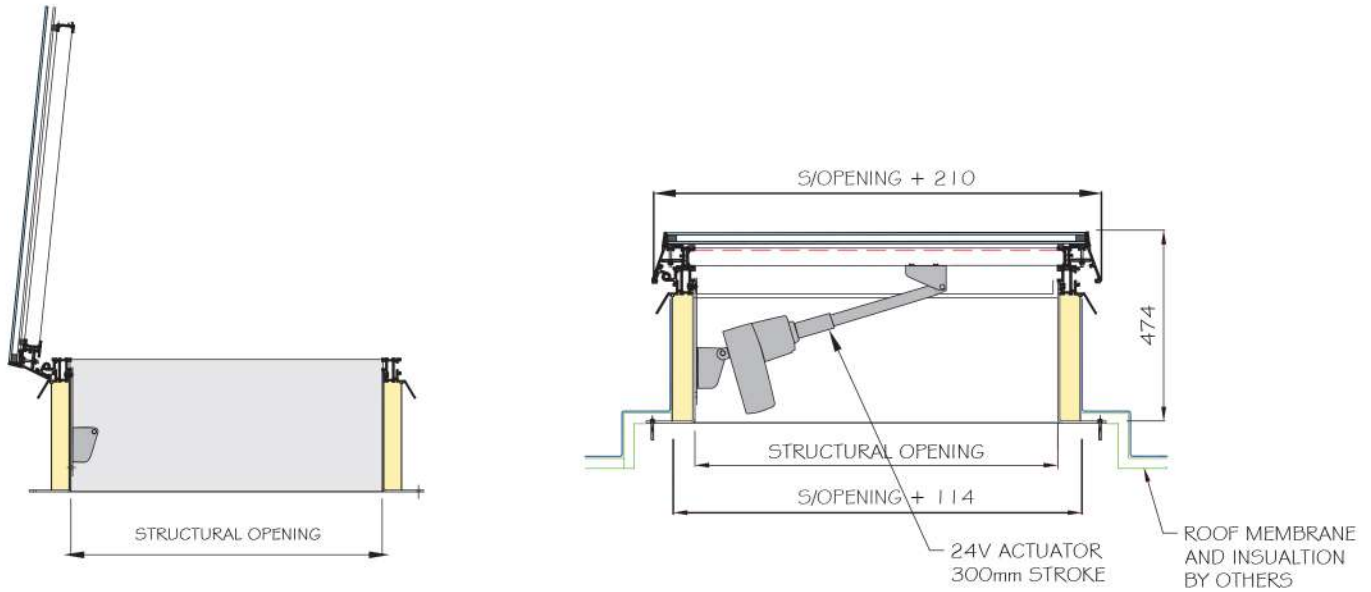


ELECTRICALLY OPERATED GLAZED ROOF HATCH SRHGE



MATERIAL

Glazed cover and aluminium upstand.

GLAZING

The 35.5mm sealed double glazed unit will comprise Pilkington 6mm toughened K polished all round outer pane, 20mm Warm Edge silver spacer Bar argon filled, Pilkington 9.5mm toughened & laminated inner pane. This sealed glazed unit has a vertical centre pane U-Value of 1.5 W/m²K.

INSULATION

The aluminium frame and upstand is of a thermally broken construction. The upstand is externally packed with 50mm of insulation and subsequently weathered on site at time of installation by others.

UPSTAND

313mm in height as standard. The upstand has a purpose made flashing to accept the roof membrane (supplied by others and fitted under manufacturers instructions) flush to exterior insulation. Also available with thermally broken extruded sections.

OPERATION

Operated by a heavy-duty 24v DC Actuator. We recommend all hatches be installed on a minimum 5 degree pitch to prevent water ponding.

FINISH

The hatch comes complete and self colour as standard. The hatch can be provided polyester powder coated to any standard stocked RAL colour as an additional option.

EXTRAS

Opaque/Frit Pattern	Concealed Actuator	Solar
Walk-on glass	Retractable Hand hold	Rain & Wind sensors
Emergency battery back up	Retractable safety grid	Electromagnetic