

THERMAL BREAK GLAZED SMOKE VENT SRHGE/AOV

Thermally Broken Glazed top Smoke Vent



Optional External Curb to suit weathered upstand

EN12101-2 PERFORMANCE*

- > CE marked to EN12101-2
- > Sizes up to 1400 x 3000 mm
- > Functional safety and reliability
- > Any size up to 1800 x 3000mm
- > 50mm PIR Insulation 0.43 W/m²K
- > Thermally Broken lid and upstand
- > Electromagnetic Locking
- > Mechanism(s) can be offset and/or concealed

SIZES

SRHGE/AOV Aluminium Glazed
Bespoke Sizes 1050 x 1050
up to 1400 x 3000.

SPD/AOV Domed Lid
1050 x 1050, 1260 x 1260, 1050 x 1550

SRHGE/AOV Solid Lid
Bespoke Sizes 920 x 920
up to 1800 x 3000

* SDP/ AOV Only, other models may differ.

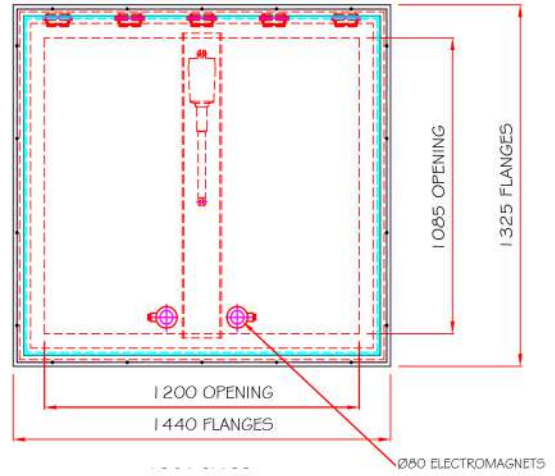
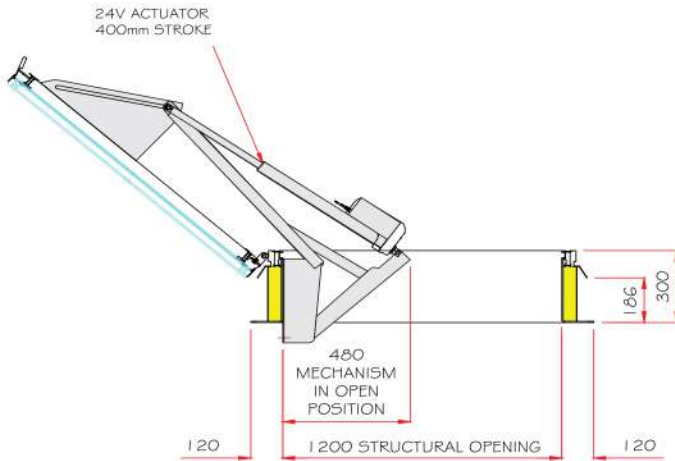
INSULATION OPTIONS

50mm 0.43 W/M2K Polyisocyanurate Insulation

THERMAL BREAK GLAZED SMOKE VENT SRHGE/AOV

Thermally Broken Glazed top Smoke Vent

SMOKE VENTS



MATERIAL

Aluminium with glazed lid and thermal break

COVER

50mm (2") fully insulated kerb and lid, corner welded and reinforced. Aluminium wind deflectors.

CURB

300mm (12") in height with external curb liner, thermal break and 50mm polyisocyanurate insulation to 0.43 W/m²K U-value.

GLAZING

35.5mm sealed double glazed unit will comprise Pilkington 6mm toughened K polished all round outer pane, 20mm Warm Edge silver spacer Bar argon filled, Pilkington 9.5mm toughened & laminated inner pane.

HINGES

Unique foldaway hinges incorporate double unbroken seals to help prevent the ingress of dirt and moisture.

SEAL

Double unbroken bubble & blade seal to lid

OPERATION

24V DC Actuator

HINGES

Heavy duty continuous hidden hinge



THERMAL BREAK GLAZED SMOKE VENT SRHGE/AOV

Thermally Broken Glazed top Smoke Vent

Smoke ventilator for roof access and smoke ventilation.

Surespan SRHGE/AOV 140° glazed smoke vents can be made to any size up to 1400 x 3000mm. They are fully compliant with EN12101-2 and CE Marked. The thermally broken, Aluminium, Glazed single leaf smoke ventilator is operated by 24v DC actuator(s) and features electro-magnetic locking.

Manufacturer

Surespan Ltd. Leamore Close, Walsall, WS2 7NL

Website

www.surespancovers.com.

Telephone

+44 (0)1922 711185.

Product reference

SRHGE/AOV

Type

[Glazed Lid]
[Solid Aluminium Lid]

Sizes

[-] - Bespoke size between 1050 x 1050 and 1300 x 3000

Material

[Aluminium]. - Mill finish as standard.

Upstand

[300 mm thermally broken and insulated]. - Standard.

Operation

24V DC Actuator

Colour/ Finish

Internal

[Polyester powder coating]. - Any RAL colour, insert requirements.

External

[Polyester powder coating]. - Any RAL colour, insert requirements.

Insulation Options

[50 mm polyisocyanurate insulation (0.43 W/m²K)].

Controls

[24v Control Centre]
[Fireman's switch]
[Key switch]
[Push button]
[Smoke detector]

