



SURESPAN

www.surespancovers.com

Aluminium Companionway Up to 3m

Approval Drawing

BS5395: Part 3

BS 4211:2005 + A1 2008

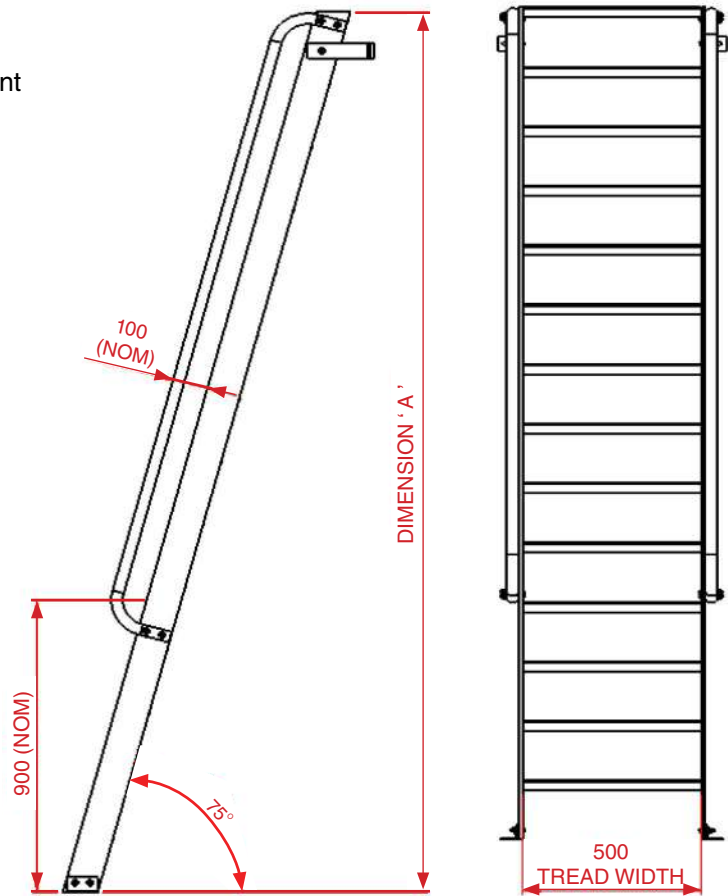
Ref No.

PRODUCT SPECIFICATION

CODE: SHP/A

LADDER

- Aluminium Stiles: 101.6 x 9.5mm flat bar
- Treads: Aluminium folded chequerplate
- Stand off brackets: 50.8 x 9.5mm Aluminium flat bar
- Fixings in stainless steel A2 grade
- Finish: Mill finish aluminium
- Grabrail height: 100mm (nom)
- Tread width: 500mm
- Width over handrails: 600mm (nom)
- Ladder Angle: 75 degree
- Ladder to be fixed into floor and step off point



Customer name:	<input type="text"/>	Dimension ' A '	<input type="text"/>
Project title:	<input type="text"/>	Dimension ' X '	<input type="text"/>
Order number:	<input type="text"/>	Date:	<input type="text"/>

Comments:

I can confirm the above information is correct and that our order shall be manufactured to these sizes.

Signed:

Leamore Close Leamore Enterprise Park
Walsall, WS2 7NL, West Midlands

Tel: 01922 711185
Email: sales@surespancovers.com



SURESPAN