



SURESPAN

www.surespancovers.com

Steel Galvanised Stair Unit

Approval Drawing

BS 4211:20 BS5395: Part 3

BS EN ISO 14122-03 2001 + A1 2010

Ref No.

PRODUCT SPECIFICATION

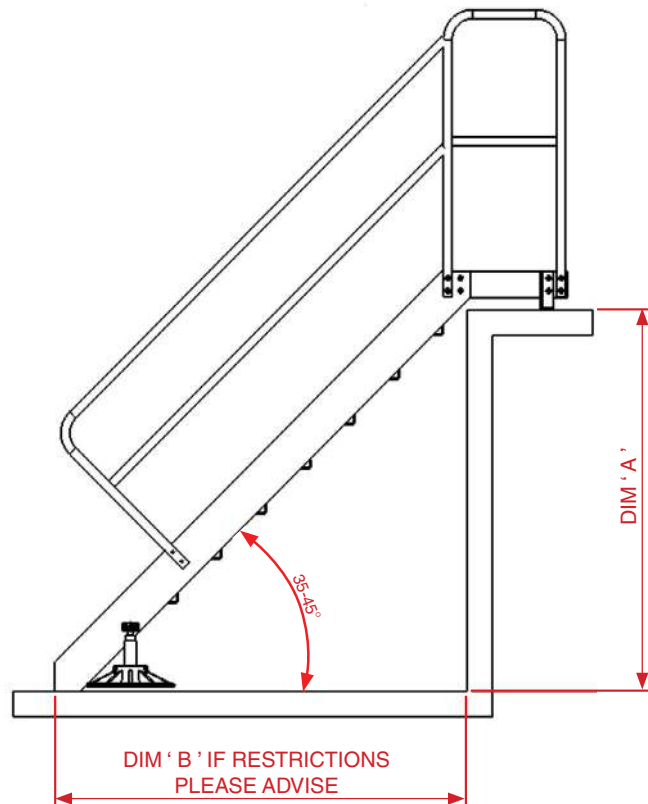
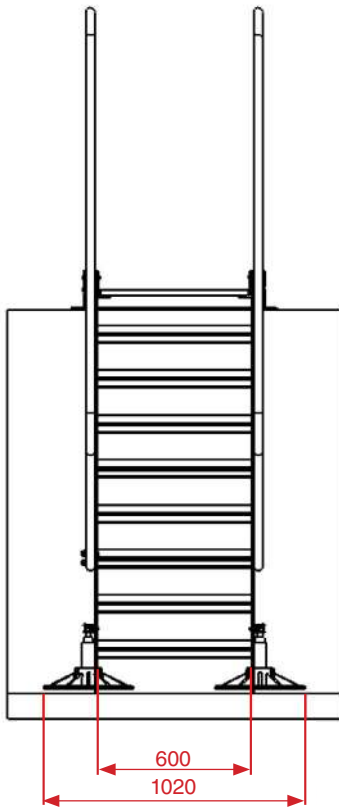
CODE: SHP/F/G

HANDRAIL

- Height: 1100mm above surface of decking
- Top Rail: 35mm diameter tube
- Midrail: 35mm diameter tube
- All internal fixings to be dome
- Handrails fitted to both sides of stairs & platform
- Finish: Galvanised

STAIR

- Steel: 150 x 10 flat bar
- Tread Dimensions (h x w x d): 35 x 600 x 250mm (nominal)
- Tread construction: Folded steel durbar plate
- Fixings in stainless steel A4 grade
- Finish: Galvanised
- Guardrail height: 950mm
- Clear inside width: 600mm
- Finish: Galvanised



Customer name:

Dimension ' B '

Project title:

Date:

Order number:

Dimension ' A '

Comments:

I can confirm the above information is correct and that our order shall be manufactured to these sizes.

Signed: