



SURESPAN

www.surespancovers.com

Steel Companionway Over 3m

Approval Drawing
BS 4211:2005 + A1 2008

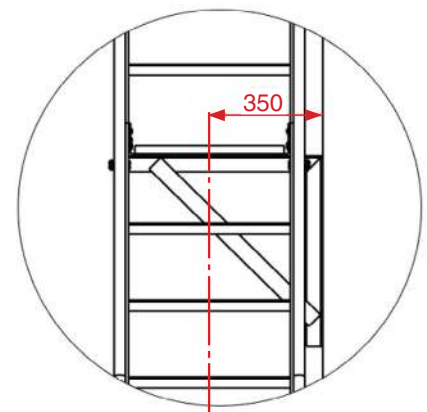
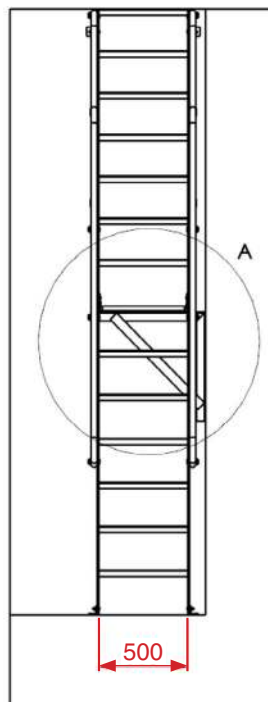
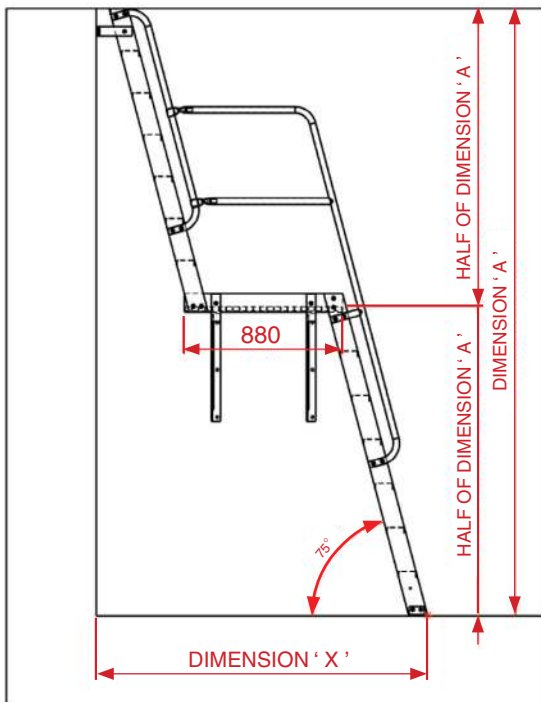
Ref No.

PRODUCT SPECIFICATION

CODE: SHP/L/G

LADDER

- Stand-off brackets: 50 x 10mm flat bar
- Stiles: 100 x 10mm flat bar
- Treads: Folded durbar plate
- Fixings in stainless steel A2 grade
- Finish: Galvanised (unless otherwise specified)
- Grabrail height: 100mm (nom)
- Tread width: 500mm Width Over
- Handrails: 600mm (nom)
- Ladder Angle: 75 degree
- Ladder to be fixed into floor & step off
- Platform Deck: Chequer Plate
- Platform supported on gallows brackets



Customer name:

Dimension ' X '

Project title:

Date:

Order number:

Dimension ' A '

Comments:

I can confirm the above information is correct and that our order shall be manufactured to these sizes.

Signed:

