



# SURESPAN

www.surespancovers.com

## Aluminium Companionway Over 3m

Approval Drawing  
BS 4211:2005 + A1 2008

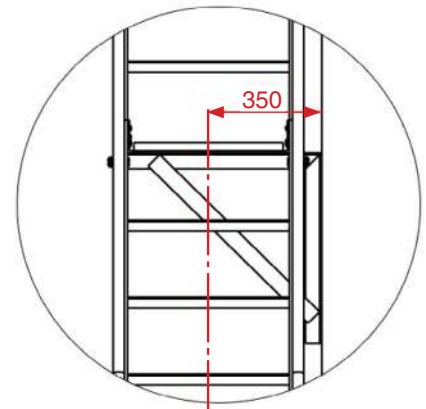
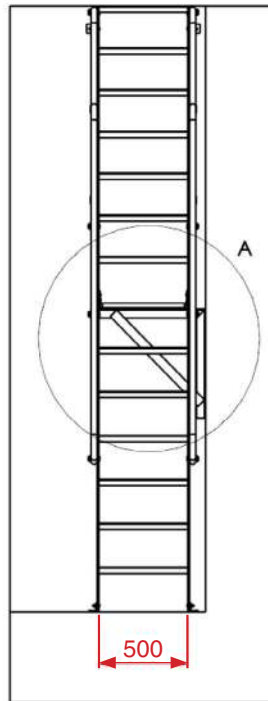
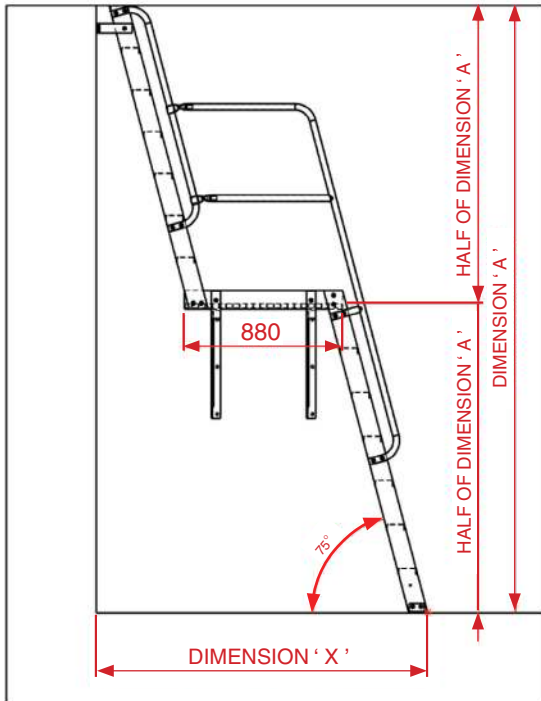
Ref No.

### PRODUCT SPECIFICATION

CODE: SHP/PW/A

#### LADDER

- Stand off brackets: 50.8 x 9.5mm Aluminium flat bar
- Aluminium Stiles: 101.6 x 9.5mm flat bar
- Treads: Aluminium folded chequerplate
- Fixings in stainless steel A2 grade
- Finish: Mill finish aluminium
- Grabrail height: 100mm (nom)
- Tread Width: 500mm
- Width over handrails: 600mm (nom)
- Ladder Angle: 75 degree
- Ladder to be fixed into floor & step off
- Platform Deck: Chequer Plate
- Platform supported on gallows brackets



Customer name:

Dimension ' A '

Project title:

Dimension ' X '

Order number:

Date:

Comments:

I can confirm the above information is correct and that our order shall be manufactured to these sizes.

Signed:

