



# SURESPAN

www.surespancovers.com

## 37 Degree Freestanding Steel Step Over Unit

Approval Drawing  
BS5395: Part 3 &  
BS EN ISO 14122-03  
2001 + A1 2010

Ref No.

### PRODUCT SPECIFICATION

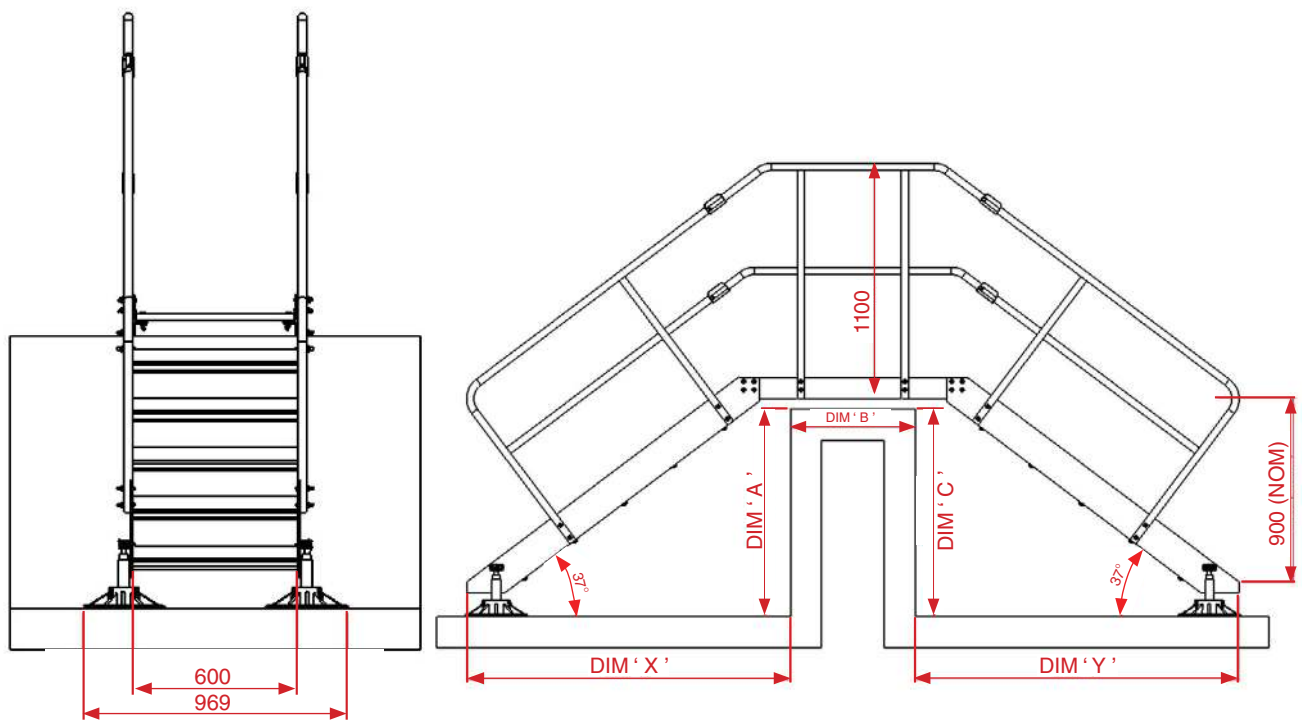
CODE: SHP/UO/F/G

#### HANDRAIL

- Height: 1100mm above surface of decking
- Top rail: 35mm diameter tube
- Midrail: 35mm diameter tube
- All internal fixings to be dome
- Handrails fitted to both sides of stairs & platform
- Finish: Steel Galvanised

#### STAIR

- Stiles: 150 x 10 flat bar
- Tread Dimensions (h x w x d): 35 x 600 x 250mm (nom)
- Tread Construction: Folded Chequer plate
- Fixings in stainless steel A4 grade
- Finish: Steel Galvanised
- Guardrail height: 900mm



Customer name:

Dimension ' C '

Project title:

Dimension ' Y '

Order number:

Dimension ' X '

Dimension ' A '

Date:

Dimension ' B '

Comments:

I can confirm the above information is correct and that our order shall be manufactured to these sizes.

Signed:

Leamore Close Leamore Enterprise Park  
Walsall, WS2 7NL, West Midlands

Tel: 01922 711185  
Email: sales@surespancovers.com

