



SURESPAN

www.surespancovers.com

75 Degree Aluminium Fixed Steel Step Over Unit

Approval Drawing
BS5395: Part 3 &
BS EN ISO 14122-03
2001 + A1 2010

Ref No.

PRODUCT SPECIFICATION

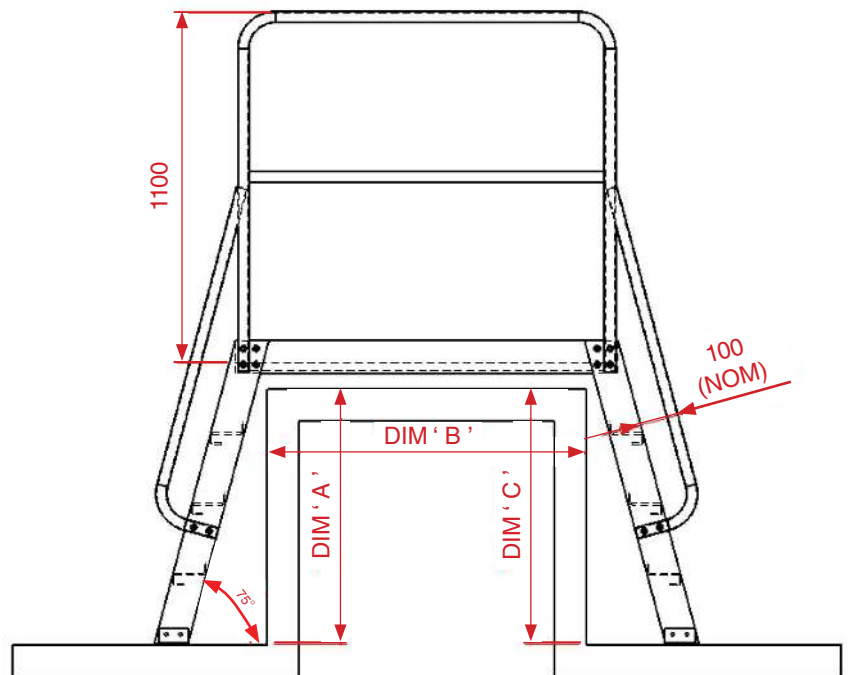
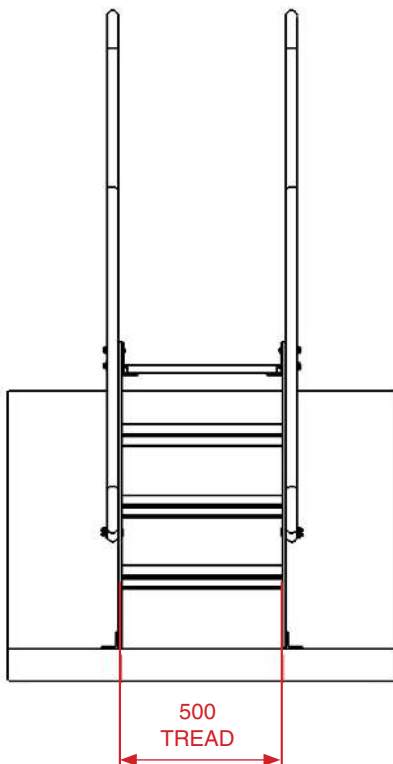
CODE: SHP/UO/G

HANDRAIL

- Rail height: 1100mm above surface of decking
- Top rail: 35mm diameter tube
- Midrail: 35mm diameter tube
- All internal fixings to be dome
- Handrails fitted to both sides of stairs & platform
- Finish: Steel Galvanised

STAIR

- Stiles: 100 x 8 flat bar
- Tread Dimensions (h x w x d): 35 x 500 x 100mm (nom)
- Tread Construction: Folded durbar plate
- Fixings in stainless steel A4 grade
- Finish: Steel Galvanised
- Grabrail height: 100mm (nom)



Customer name: Dimension ' B '

Project title: Dimension ' C '

Order number: Date:

Dimension ' A ' Comments:

I can confirm the above information is correct and that our order shall be manufactured to these sizes.

Signed:

Leamore Close Leamore Enterprise Park
Walsall, WS2 7NL, West Midlands

Tel: 01922 711185
Email: sales@surespancovers.com



SURESPAN