



# SURESPAN

www.surespancovers.com

## Aluminium Companionway & Parapet

Approval Drawing

BS5395: Part 3

BS4211:2005 + A1 2008

Ref No.

### PRODUCT SPECIFICATION

CODE: SHP/UOO/A

#### LADDER

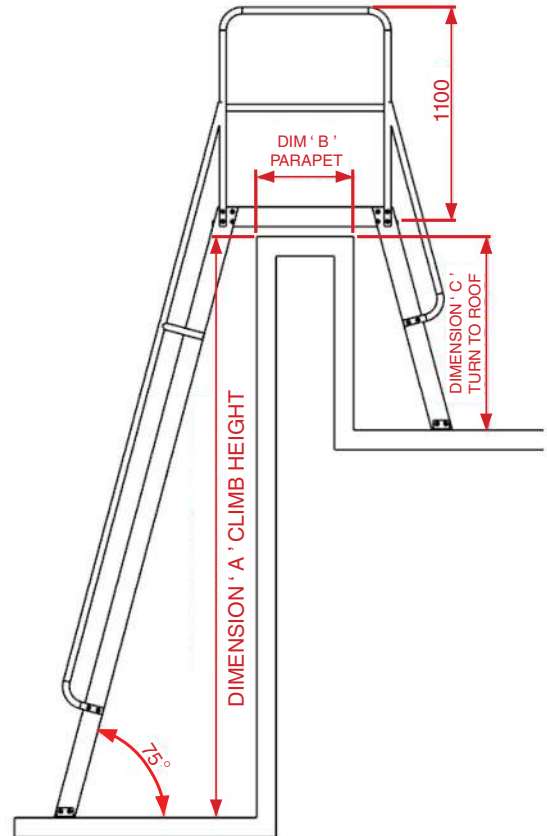
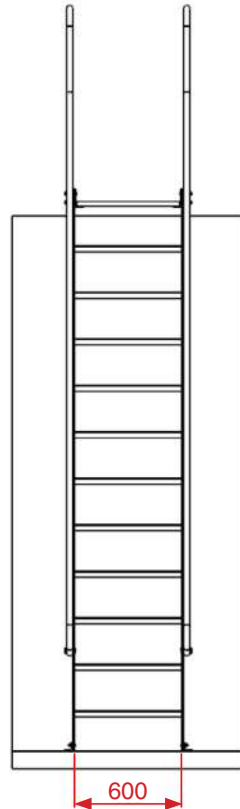
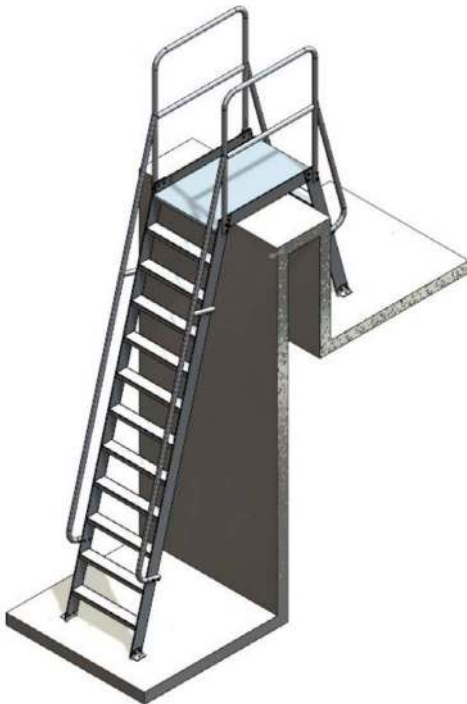
- Aluminium Stiles: 101.6 x 9.5mm flat bar
- Treads: Aluminium folded Chequer Plate
- Stand off brackets: 50.8 x 9.5mm Aluminium flat bar
- Fixings in stainless steel A2 grade
- Finish: Mill finish aluminium
- Grabrail height: 100mm (nom)
- Tread width: 500mm
- Width over handrails: 600mm (nom)
- Ladder Angle: 75 degree
- Ladder to be fixed into floor and step off point

#### PLATFORM

- Construction: Aluminium extrusion
- Platform Deck: Chequer plate

#### HANDRAIL

- Height: 1100mm above surface of decking
- Top rail: 35mm diameter tube
- Midrail: 35mm diameter tube
- All internal fixings to be dome
- Handrails to be fitted to both sides of platform
- Finish: Mill finish aluminium



Customer name:  Dimension ' A '

Project title:  Dimension ' B '

Order number:  Dimension ' C '

Date:

Comments:

I can confirm the above information is correct and that our order shall be manufactured to these sizes.

Signed:

