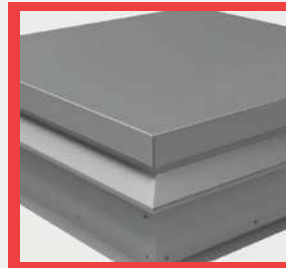
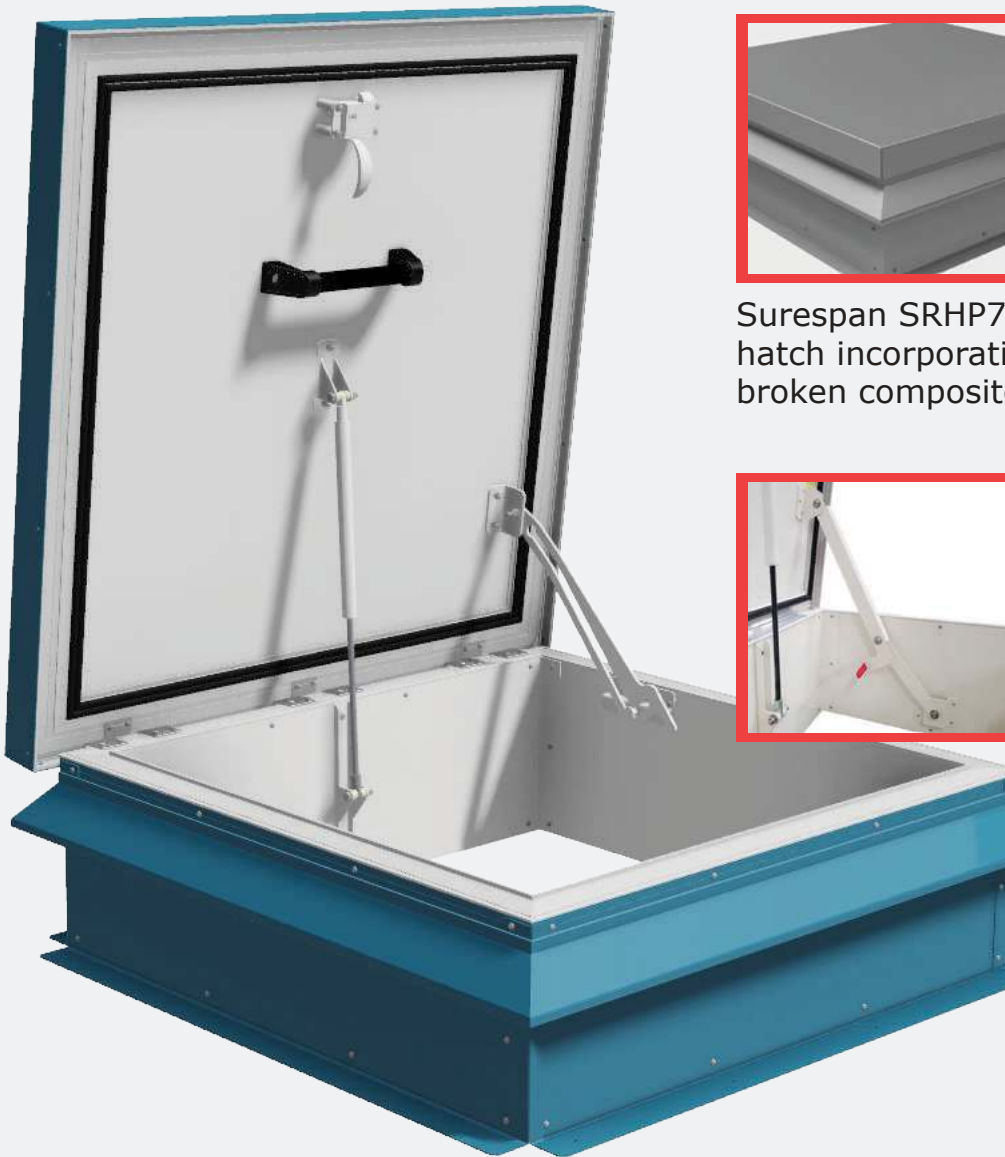


Roof Hatch SRHP75

Thermal Break Roof Hatch

Unprecedented 75mm wide thermal break lid and upstand



Surespan SRHP75 Aluminium access hatch incorporating a full 75mm thermally broken composite lid and upstand.



Secure Stay Hold Open Arm with smooth manual closing using grip handle.



Double Unbroken welded Seals



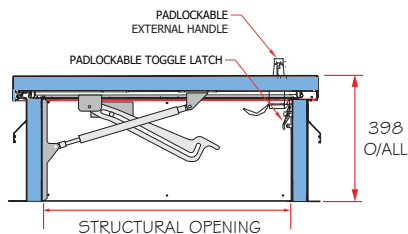
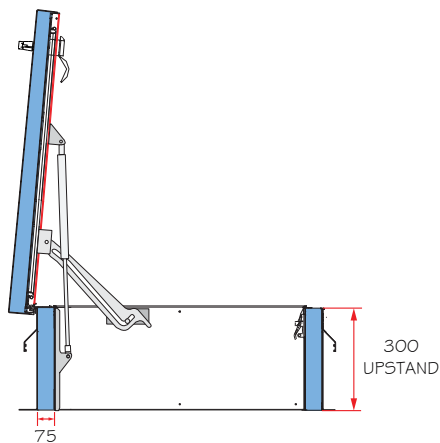
Insulation Options

75mm 0.27 W/m²K Polyisocyanurate Insulation

75mm 0.43 W/m²K Non-combustible Mineral Wool

Roof Hatch SRHP75

Details & Overview



GUIDE SPECIFICATION

- **Material:** Cover and frame 2mm aluminium with a full 75mm thermally broken composite lid and upstand.
- **Cover:** 75mm (3") fully insulated kerb and lid, corner welded and reinforced.
- **Curb:** 300mm (12") in height with external curb liner, 75mm thermal break and 75mm insulation to 0.27 W/m²K U-value. Alternative 75 mm mineral wool insulation at no extra cost (0.43 W/m²K).
- **Seal:** Double unbroken bubble & blade seal to lid
- **Operation:** Gas spring assisted manual opening, secure Stay Hold open arm with smooth manual closing using grip handle to prevent against accidental closure.
- **Hinges:** Heavy duty continuous hinge
- **Locking:** Internal slam action Cablock with padlockable external handle and padlockable toggle latch.
- **Finish:** Mill finish aluminium, single or two colour powder coating optional.

STANDARD SIZES

Size		
600	x	600
750	x	750
900	x	750
900	x	900
1000	x	1000
1200	x	1200
2500	x	750
3350	x	750



Bespoke sizes available

Roof Hatch SRHP75

Details & Overview

Roof Access Hatch for SRHP75 from Surespan Ltd

Offering a full 75mm thermally broken composite lid and upstand. With 75mm insulation. Comes as standard with a curb liner, 300mm upstand, internal slam action cablock, internal toggle latch and padlockable external handle.

Manufacturer: Surespan Ltd. Leamore Close, Walsall, WS2 7NL.

Web: www.surespancovers.com. Tel: +44 (0)1922 711185. Product reference: SRHP75

Sizes

[600 x 600 mm].

[750 x 750 mm].

[900 x 750 mm].

[900 x 900 mm].

[1000 x 1000 mm].

[1200 x 1200 mm].

[2500 x 750 mm].

[3350 x 750 mm].

Material:

[Aluminium]. - Mill finish as standard.

[Stainless Steel]. - Mill finish as standard.

Upstand:

[300 mm thermally broken and insulated]. - Standard.

Colour/ Finish:

Internal:

[Not required].

[Polyester powder coating].

- Any RAL colour, insert requirements.

- External:

[Not required].

[Polyester powder coating].

- Any RAL colour, insert requirements.

Insulation Options:

[75 mm polyisocyanurate insulation (0.27 W/m²K)].

[75 mm Non-Combustible mineral wool insulation (0.43 W/m²K)].

Operation:

[Gas springs].

[24v DC Actuator]

Locking options:

[L01 Cablock]

[L02 Cablock with hasp and staple]

[L04 Cablock with external padlocking handle]

[L06 ABS Euro Cylinder with external key locking and thumb turn options.]

[L07 European deadlock with internal and external key operation]

[L06 ABS Euro Cylinder with external key locking and thumb turn options].

Accessories:

[Extended skirt liner] - Used in conjunction with retractable ZIP ladder.

[Fixed external handhold]

[Retractable Handhold] - Retracts into the opening of the roof hatch

[Retractable ZIP ladder] - To suit Floor to ceiling height up to 3.5m

[SureGuard hand railing with self-closing gate] - Attached to the upstand of the hatch