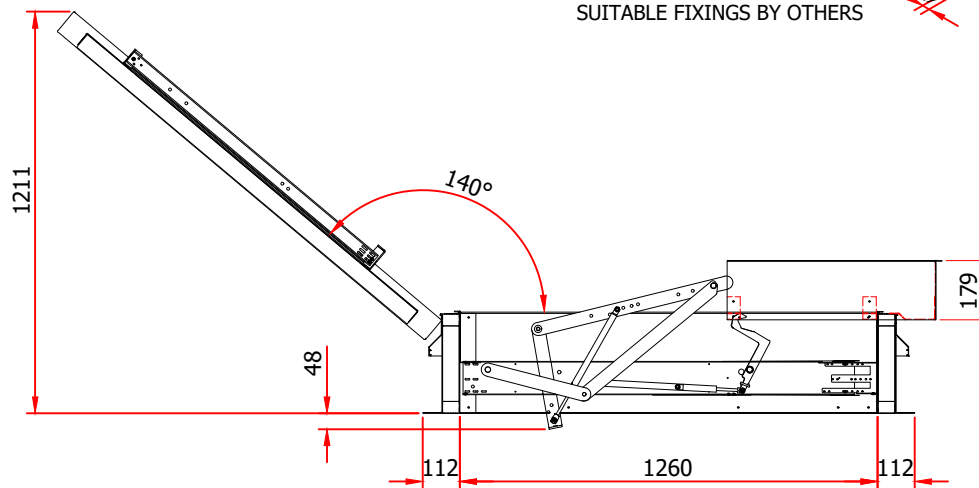


A-A
CLOSED VIEW



A-A
OPEN VIEW

SRHP 140 AOV + WIND DEFLECTORS
 SIZE: 1260 X 1260
 UPSTAND HEIGHT: 300
 MATERIAL: ALUMINIUM
 INSULATION: 50mm MINERAL WOOL
 (U-Value of 0.63W/m²K)

QUANTITY: 1 No. REQD

INTERNAL COLOUR: MILL FINISH
 EXTERNAL COLOUR: MILL FINISH

APPROX WEIGHT: 104 Kg

DRAWING MADE BY CAD
 MANUAL CHANGES PROHIBITED

LASER CUT	
PUNCH PRESS	
FOLDING	
DRILLING	
WELDING	
ASSEMBLY	
POWDER COAT	

Copyright is claimed in this drawing and no copy may be made without prior written permission.



The article shown is also the subject of:
 patent rights
 registered design rights
 unregistered rights
 this drawing is a design document
 patent pending

WIND RESTRAINTS SHOULD BE SPECIFIED ON ALL ACCESS HATCHES SUBJECT TO HIGH WIND CONDITIONS
 THIS IS A MANUALLY OPERATED ACCESS HATCH/COVER & IT IS ESSENTIAL THAT SAFE MEANS OF ACCESS IS PROVIDED FOR THE OPERATOR



Designed by	Checked by	Client	Project	Date
EXISTING LAW PROTECTS SURESPAN'S RIGHT OF POSSESSION TO THIS DRAWING. THE DESIGN OR THE DRAWING MUST NOT, WITHOUT PERMISSION OF THE COMPANY, BE PUBLISHED, COPIED, REPRODUCED MANUFACTURED OR EXPLOITED IN ANY OTHER UNAUTHORIZED WAY				
SRHP AOV 1260 X 1260 mm + WIND DEFLECTORS			Revision	Sheet
			A	1 / 27