

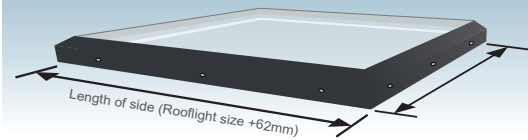


Warning!
Flat glass units are heavy
Some units may require a mechanical lift

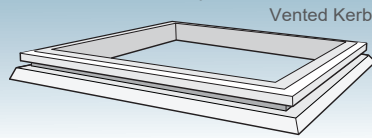
Contents

i Please unpack and check that all correct parts are included and undamaged.

Surespan Glass Trade (Unvented or Vented)



Plus, for Ventilated Version Only

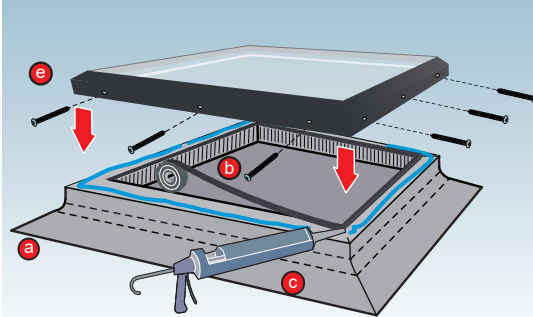


With this assembly, you will receive: Glass Unit Fixings				For Unvented assembly:	For vented assembly, you will receive:
Upstand Fastener	Snap Caps	Snap Cap Washers	Plastic Packers	Expanding Foam Tape	Kerb Fastener
			*Assorted Sizes (For side fixing Only)		125mm

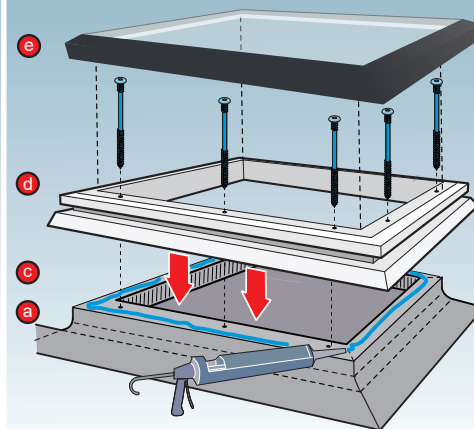
Installation

! Please note that all Health and Safety Regulations must be followed on site throughout the installation process.

Surespan Glass Trade Unvented on to existing upstand

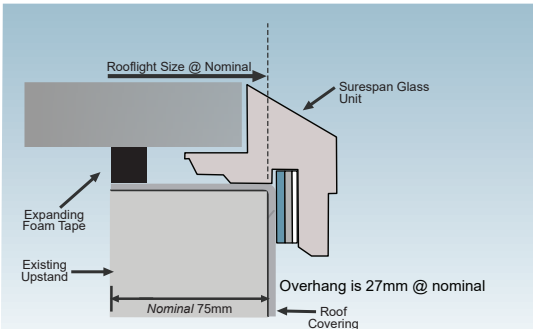


Surespan Glass Trade Vented onto existing upstand

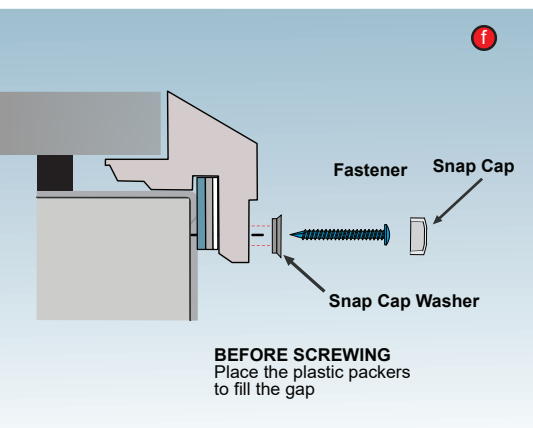
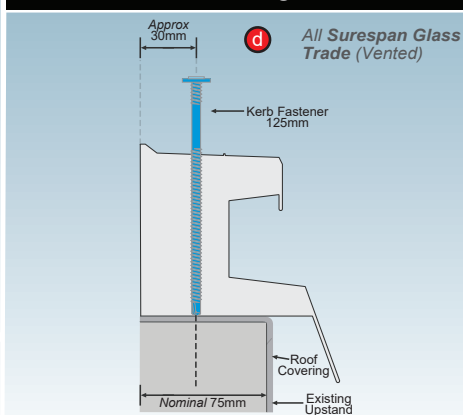


Fixing to Upstand

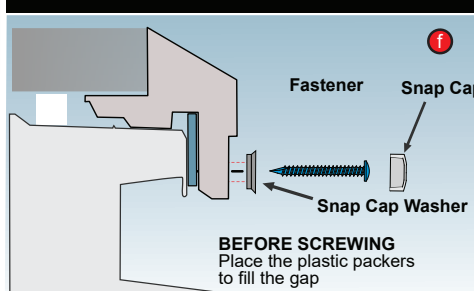
NOTE: Upstand external dimensions for this unit are:
Nominal Rooflight size +20mm/-0mm



Vented Kerb Fixing



Fixing to Vented Kerb



Fixing Quantities - Kerb

Length of Nominal Unit Side (mm)	Number of fixings per side
600, 750	2
900, 1050, 1200	3
1350, 1500, 1650	4
1800, 1950	5
2100, 2250	6
2400	7

(All fixings supplied in packs of 5.)

Fixing Quantities - Glass Unit

Length of Nominal Unit Side (mm)	Number of fixings per side
< 900	2
> 901, < 1500	3
> 1501, < 2000	5
> 2001	7

(fixings supplied in packs of 4.)

Installation Instructions

a Install roof covering to cover existing upstand in accordance with manufacturer's installation recommendations.

N.B. It is important that there should be no excessive build up of layers, the top surface should be level and free from any protrusions or projections which may prevent adequate weather proofing.

***For Ventilated Version go to c**

b For Non Ventilated Version: Apply expanding foam tape around the inside edge of the upstand.

c Mastic/Silicone around the outside edge of the upstand opening.

***For Non Ventilated Version go to e**

d For Ventilated Version: Correctly place vented kerb, ensuring it is located squarely to the upstand. Fix vented kerb to the existing upstand using the 125mm vented kerb fastener.

e Correctly place glass unit squarely on top of the completed upstand/secured vented kerb ensuring even gap on all sides

f Fix the glass unit to the vented kerb or existing upstand.

Use the supplied unit fasteners through the nylon washer

BEFORE SCREWING in the fastener, place the plastic packers to fill the gap between the frame and the upstand/vented kerb.

AFTER SCREWING fit snap caps over the head of each fastener.

TECHNICAL SUPPORT: For any technical information/queries please contact your supplier.

Surespan operates a policy of continuous product improvement, and reserves the right to alter specifications at any time without notice. Every effort has been taken to ensure all details contained in this document are correct at the time of going to press but this document should be used only as a guide and does not in any way form part of a contract or warranty. It is the customer's responsibility to ensure that the product is suitable for the actual conditions of use, which are beyond the control of Surespan.



Warning!

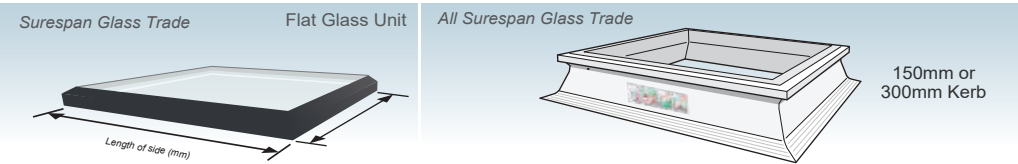
Flat glass units are heavy
Some units may require a mechanical lift

*Vented on Unvented direct
fix on existing upstand*

**For Surespan Fixed
Glass Flat Rooflights**
a 150 mm or 300mm kerb
Page 1 overleaf

Contents

i Please unpack and check that all correct parts are included and undamaged.



With this assembly, you will receive:
Glass Unit Fixings

Kerb Fixings

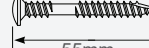
Upstand Fastener

Snap Caps

Snap Cap Washers

Plastic Packers

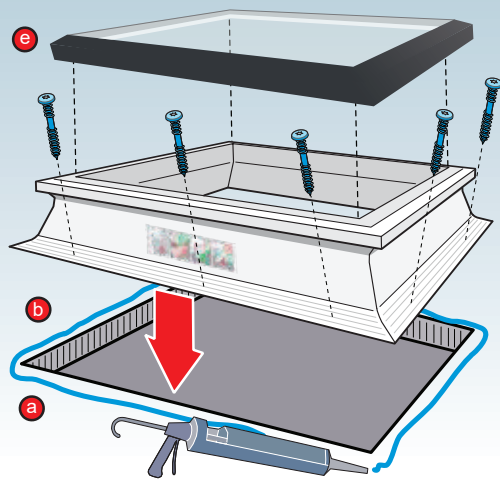
Kerb Fastener



*Assorted Sizes
(For side fixing Only)

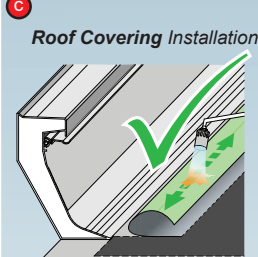
! Please note that all Health and Safety Regulations must be followed on site throughout the installation process.

Installation



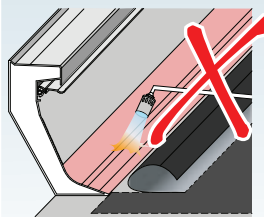
! Please note that all Health and Safety Regulations must be followed on site throughout the installation process.

Installation

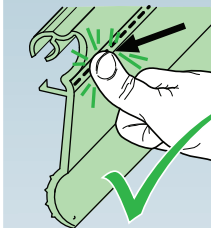


If required, lightly
torch roof covering.

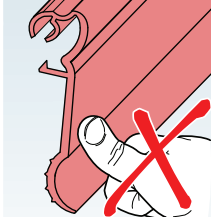
WARNING:
Never apply direct heat
or naked flame to the roof light!



d **IMPORTANT:**
Membrane Clamp
Locking



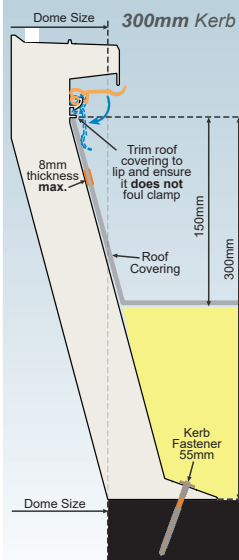
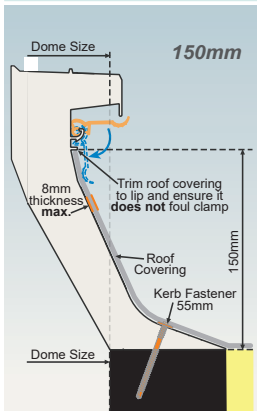
Push along line as shown to lock.
DO NOT push on soft area!



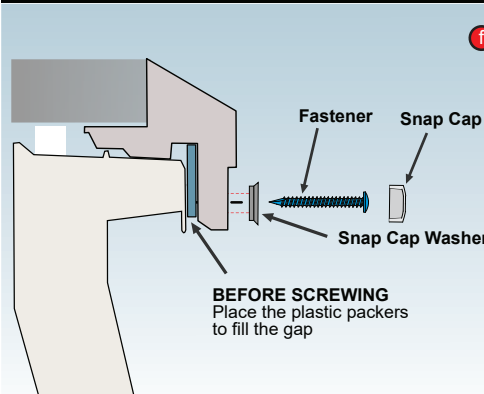
Kerb Installation

b c All Surespan Glass Trade (Unvented or Vented)

-  Kerb
-  Roof Covering
-  Structural Member
-  Insulation



Fixing to Vented Kerb



Fixing Quantities - Kerb

Length of Nominal Unit Side (mm)	Number of fixings per side	(Fixings supplied in packs of 4.)
600, 750	2	
900, 1050, 1200	3	
1350, 1500, 1650	4	
1800	5	
2400	7	

Fixing Quantities - Glass Unit

Length of Nominal Unit Side (mm)	Number of fixings per side	(fixings supplied in packs of 4.)
< 900	2	
> 901, < 1500	3	
> 1501, < 2000	5	
> 2001	7	

Installation Instructions

a Mastic/Silicone around the edge of the roof opening and correctly place kerb, ensuring it is located squarely to the upstand.

b Fix kerb to the roof using the 55mm kerb fastener.

See above **Fixing Quantities - Kerb** table for the correct quantity of fastenings required for the size of the glass unit.

N.B. Length of side refers to the nominal glass unit size (equivalent to inside base of kerb foot).

c Install roof covering up to lip, to stop under membrane clamp, ensuring it **does not** foul clamp. Install in accordance with manufacturer's installation recommendations.

N.B. Never apply direct heat or naked flame to the rooflight! Ensure the roof covering **does not** foul clamp!

d Lock the membrane clamp down fully, as shown.

e Place glass unit squarely on top of the secured kerb ensuring even gap on all sides.

f Fix the glass unit to the kerb

Use the supplied unit fasteners through the nylon washer. Only screw through pre drilled holes.

BEFORE SCREWING in the fastener, place the plastic packers to fill the gap between the frame and the kerb.

AFTER SCREWING fit snap caps over the head of each fastener.

TECHNICAL SUPPORT: For any technical information/queries please contact your supplier.

Surespan operates a policy of continuous product improvement, and reserves the right to alter specifications at any time without notice. Every effort has been taken to ensure all details contained in this document are correct at the time of going to press but this document should be used only as a guide and does not in any way form part of a contract or warranty. It is the customer's responsibility to ensure that the product is suitable for the actual conditions of use, which are beyond the control of Surespan.