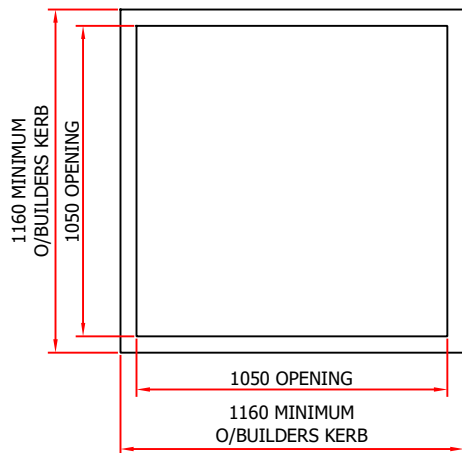
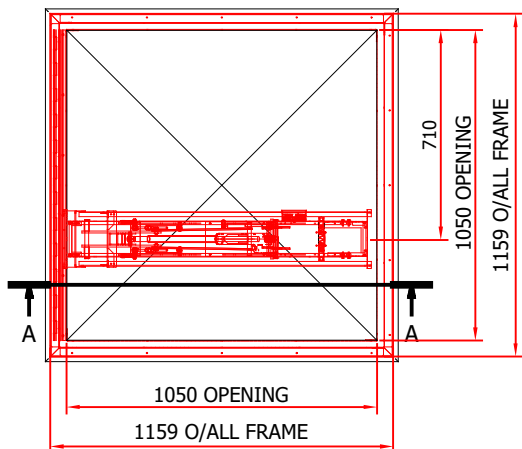


**TYPE 3
DIRECT TO ROOF FIXING**

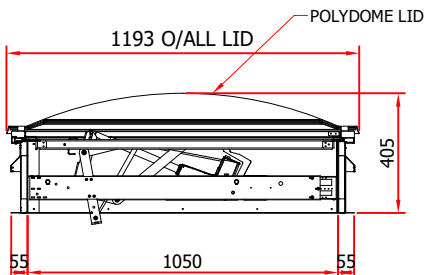
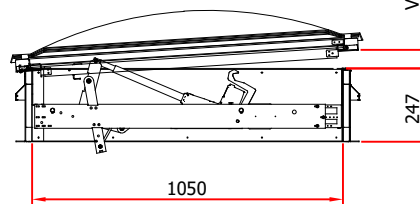


SDP/AOV Dome 140
 SIZE: 1050 X 1050
 UPSTAND HEIGHT: 300
 MATERIAL: ALUMINIUM
 INSULATION: 50mm POLYISOCYANURATE INSULATION
 & /or NON-COMBUSTIBLE MINERAL WOOL INSULATION

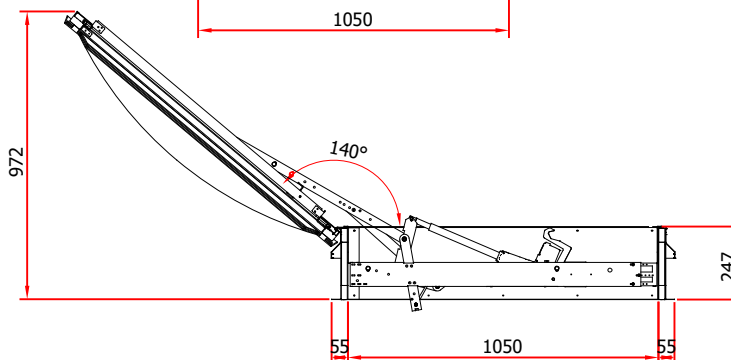
INTERNAL AND EXTERNAL POWDER COATING
 OPTIONAL

APPROX WEIGHT: N/A

100mm FOR
 COMFORT
 VENTILLATION



A-A
 CLOSED VIEW



A-A
 OPEN VIEW

LASER CUT	
PUNCH PRESS	
FOLDING	
DRILLING	
WELDING	
ASSEMBLY	
POWDER COAT	

DRAWING MADE BY CAD
 MANUAL CHANGES PROHIBITED

Copyright is claimed in this drawing and no copy may be made without prior written permission.



The article shown is also the subject of:
 patent rights
 registered design rights
 unregistered rights
 this drawing is a design document
 patent pending

WIND RESTRAINTS SHOULD BE SPECIFIED ON ALL ACCESS HATCHES SUBJECT TO HIGH WIND CONDITIONS THIS IS A MANUALLY OPERATED ACCESS HATCH/COVER & IT IS ESSENTIAL THAT SAFE MEANS OF ACCESS IS PROVIDED FOR THE OPERATOR



SURESPAN

Designed by MKA
 Checked by
 Client PB CONST, & DECOR LTD
 Project ROOF ACCESS HATCH

EXISTING LAW PROTECTS SURESPAN'S RIGHT OF POSSESSION TO THIS DRAWING. THE DESIGN OR THE DRAWING MUST NOT, WITHOUT PERMISSION OF THE COMPANY, BE PUBLISHED, COPIED, REPRODUCED MANUFACTURED OR EXPLOITED IN ANY OTHER UNAUTHORIZED WAY

23706-1	SRHP 750 X 900 mm	Revision A	Sheet / 26
---------	-------------------	------------	------------

Date 24.10.17