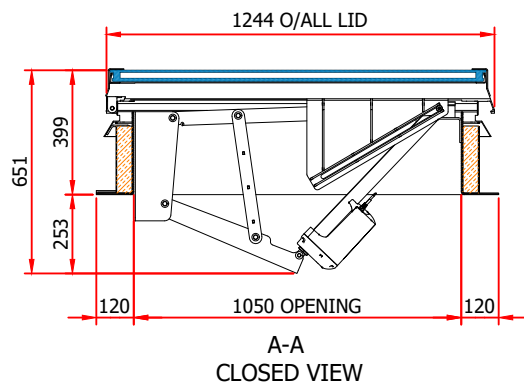
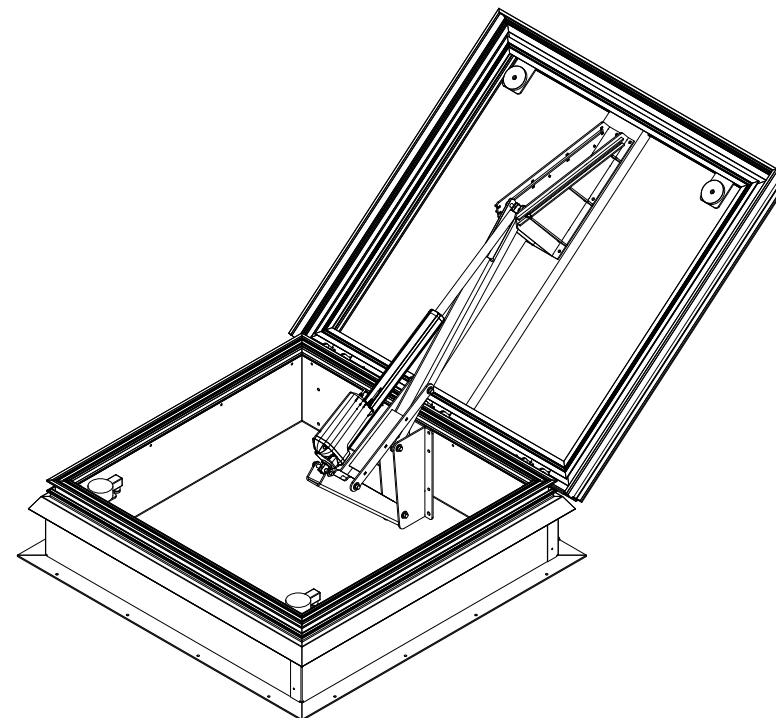


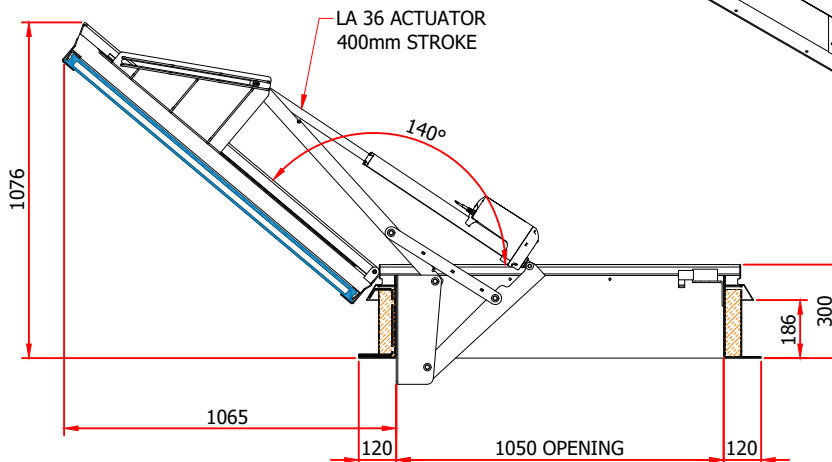
SRHGE 140° AOV
 SIZE: 1050 X 1050 mm
 UPSTAND HEIGHT: 300 mm
 MATERIAL: ALUMINUM
 INSULATION: 50mm INSULATION (U-Value Of 0.43W/m2K)
 GEOMETRIC AIR FLOW:
 AERODYNAMIC AIR FLOW:
 QUANTITY: 1 No. REQD

INTERNAL COLOUR: MILL FINISH
 EXTERNAL COLOUR: MILL FINISH

APPROX WEIGHT: 161 kg



A-A
CLOSED VIEW



A-A
OPEN VIEW

DRAWING MADE BY CAD
 MANUAL CHANGES PROHIBITED

LASER CUT	
PUNCH PRESS	
FOLDING	
DRILLING	
WELDING	
ASSEMBLY	
POWDER COAT	

Copyright is claimed in this drawing and no copy may be made without prior written permission.



The article shown is also the subject of:
 patent rights
 registered design rights
 unregistered rights
 this drawing is a design document
 patent pending

WIND RESTRAINTS SHOULD BE SPECIFIED ON ALL ACCESS HATCHES SUBJECT TO HIGH WIND CONDITIONS
 THIS IS AN ELECTRICALLY OPERATED ACCESS HATCH/COVER & IT IS ESSENTIAL THAT SAFE MEANS OF ACCESS IS PROVIDED FOR THE OPERATOR



SURESPAN

Designed by EO
 Checked by
 Client
 Date
 EXISTING LAW PROTECTS SURESPAN'S RIGHT OF POSSESSION TO THIS DRAWING. THE DESIGN OR THE DRAWING MUST NOT, WITHOUT PERMISSION OF THE COMPANY, BE PUBLISHED, COPIED, REPRODUCED MANUFACTURED OR EXPLOITED IN ANY OTHER UNAUTHORIZED WAY

Project
 Date
 25/03/2021

SRHGE 140 AOV

Revision
 A
 Sheet
 1 / 20