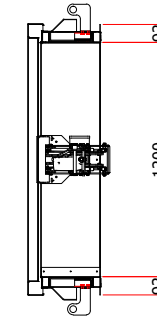
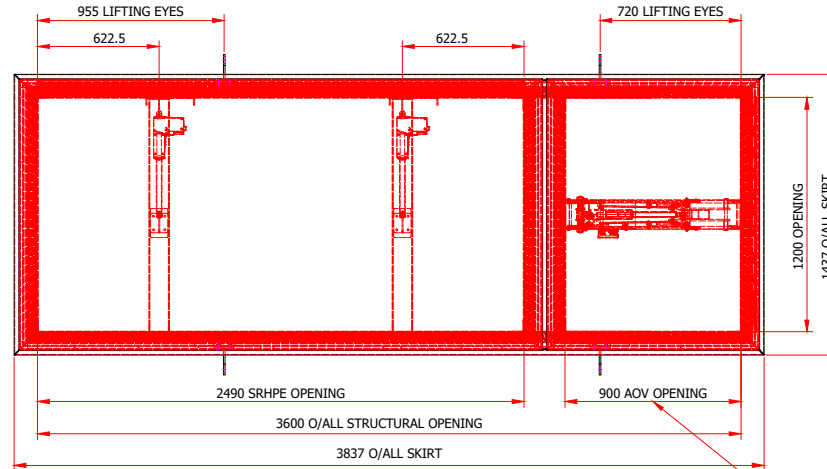


SRHPE / AOV DL + REMOVABLE LIFTING EYES
 S/O SIZE: 3600 X 1200 mm
 UPSTAND HEIGHT: 300 mm

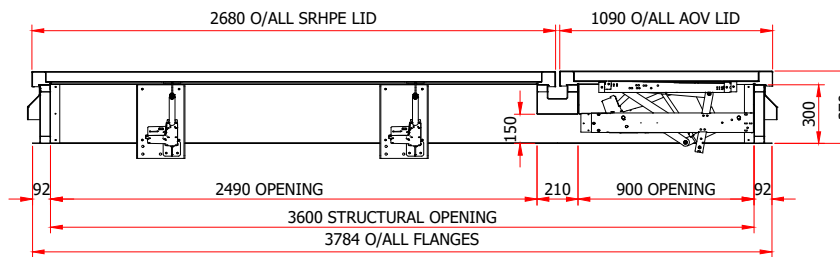
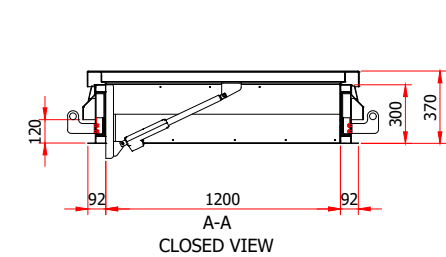
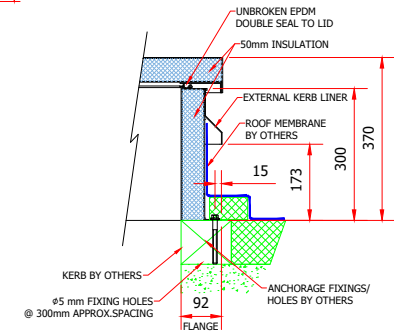
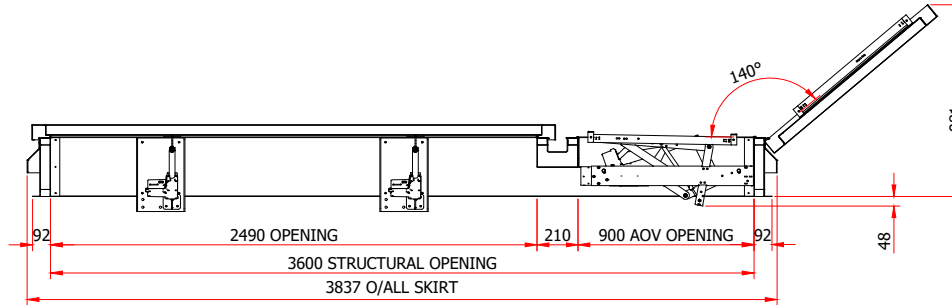
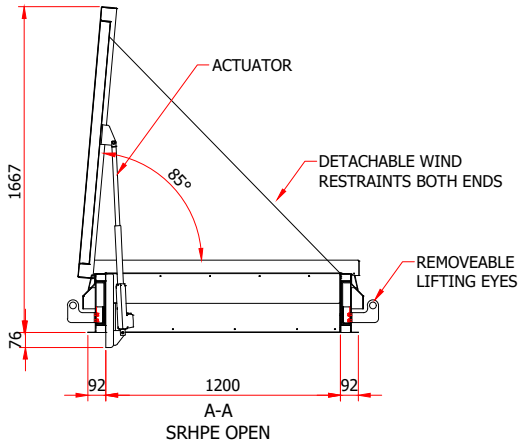
LOCKING OPTION: ACTUATOR (KEY SWITCH)
 MATERIAL: ALUMINIUM
 INSULATION: 50mm INSULATION (U-Value of 0.43W/m²)
 QUANTITY: 1 No. REQD

INTERNAL COLOUR: POWDER COAT RAL 9010
 EXTERNAL COLOUR: C33 TIGER DRYLAC 029/65680

APPROX WEIGHT: 300 kg
 GEOMETRIC AREA FOR AOV UNIT: 1.01 m²



MINIMUM OPENING
 REQUIRED FOR AOV UNIT



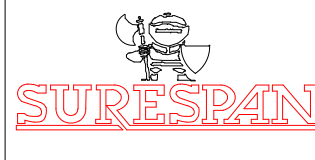
DRAWING MADE BY CAD
 MANUAL CHANGES PROHIBITED

LASER CUT	
PUNCH PRESS	
FOLDING	
DRILLING	
WELDING	
ASSEMBLY	
POWDER COAT	

Copyright is claimed in this drawing and no copy may be made without prior written permission.

The article shown is also the subject of:
 patent rights
 registered design rights
 unregistered rights
 this drawing is a design document
 patent pending

WIND RESTRAINTS SHOULD BE SPECIFIED ON ALL ACCESS HATCHES SUBJECT TO HIGH WIND CONDITIONS THIS IS A MANUALLY OPERATED ACCESS HATCH/COVER & IT IS ESSENTIAL THAT SAFE MEANS OF ACCESS IS PROVIDED FOR THE OPERATOR



Designed by SM
 Checked by
 Client
 Project
 EXISTING LAW PROTECTS SURESPAN'S RIGHT OF POSSESSION TO THIS DRAWING. THE DESIGN OR THE DRAWING MUST NOT, WITHOUT PERMISSION OF THE COMPANY, BE PUBLISHED, COPIED, REPRODUCED MANUFACTURED OR EXPLOITED IN ANY OTHER UNAUTHORIZED WAY

SRHPE / AOV DL for STRUCTURAL OPENING OF 3600 X 1200
 EXI-VENT
 Date 23.03.2021
 Revision A
 Sheet / 29