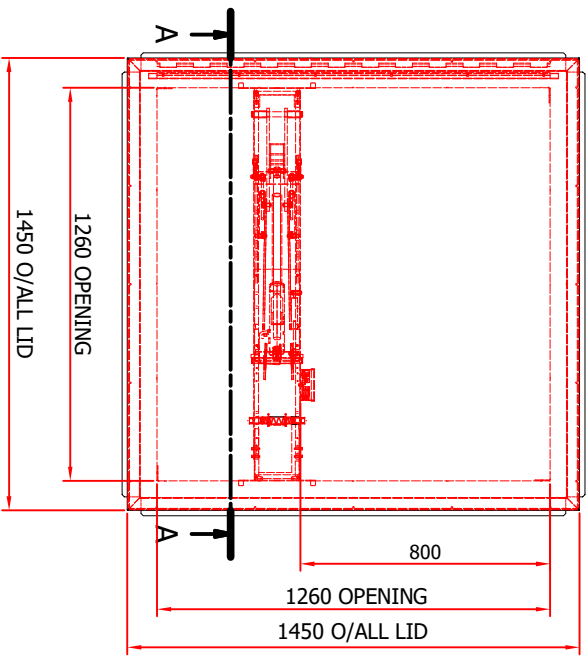
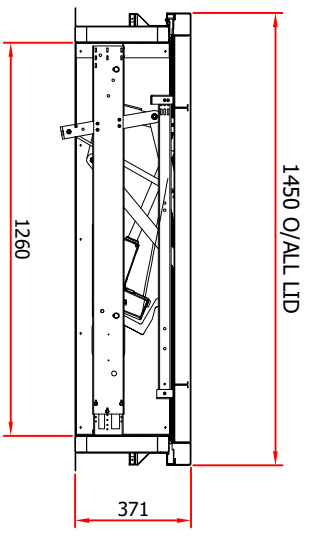
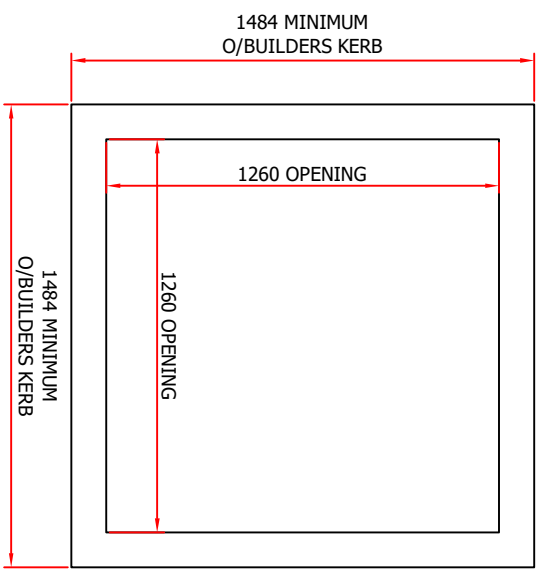




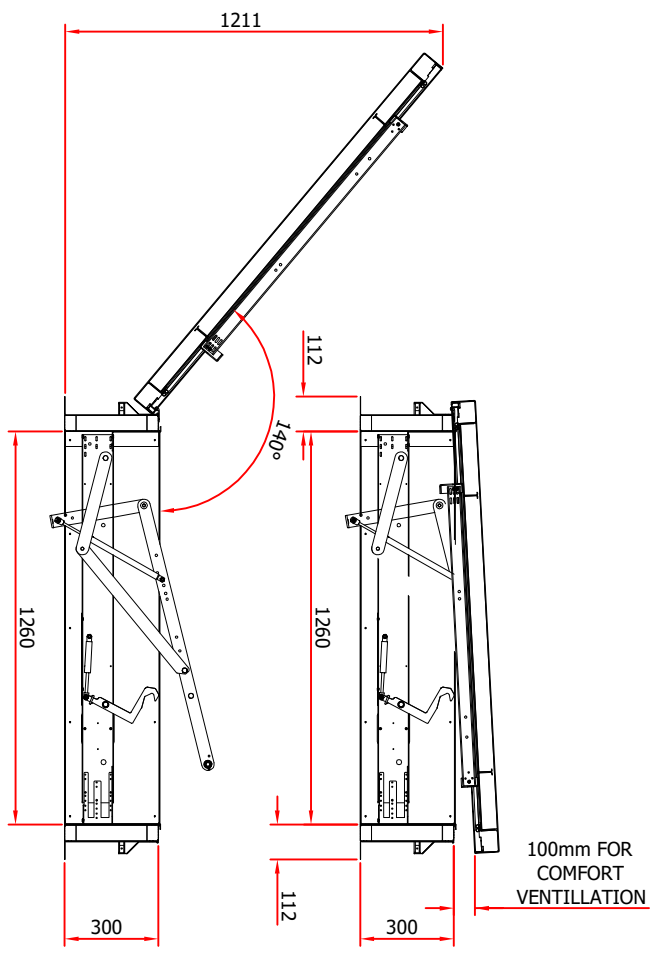
**TYPE 3
DIRECT TO ROOF FIXING**



SRHP 140 AOV
 SIZE: 1260 X 1260
 UPSTAND HEIGHT: 300
 MATERIAL: ALUMINIUM
 INSULATION: 50mm KINGSPAN
 QUANTITY: 1 No. REQD
 INTERNAL COLOUR: SELF COLOUR
 EXTERNAL COLOUR: SELF COLOUR
 APPROX WEIGHT: N/A



**A-A
CLOSED VIEW**



**A-A
OPEN VIEW**

LASER CUT
PUNCH PRESS
FOLDING
DRILLING
WELDING
ASSEMBLY
POWDER COAT

DRAWING MADE BY CAD
MANUAL CHANGES PROHIBITED

Copyright is claimed in this drawing and no copy may be made without prior written permission.



The article shown is also the subject of:
 patent rights
 registered design rights
 unregistered rights
 this drawing is a design document
 patent pending

WIND RESTRAINTS SHOULD BE SPECIFIED ON ALL ACCESS HATCHES SUBJECT TO HIGH WIND CONDITIONS
 THIS IS A MANUALLY OPERATED ACCESS HATCH/COVER & IT IS ESSENTIAL THAT SAFE MEANS OF ACCESS IS PROVIDED FOR THE OPERATOR



Designed by	Checked by	Client	Project	Date
MD		SURESPAN	SURESPAN STOCK	21.11.17
EXISTING LAW PROTECTS SURESPAN'S RIGHT OF POSSESSION TO THIS DRAWING. THE DESIGN OR THE DRAWING MUST NOT, WITHOUT PERMISSION OF THE COMPANY, BE PUBLISHED, COPIED, REPRODUCED MANUFACTURED OR EXPLOITED IN ANY OTHER UNAUTHORIZED WAY.			SRHP AOV 1260 X 1260 mm	Revision
			140-1260 X 1260-L/H	A
				Sheet
				/ 28