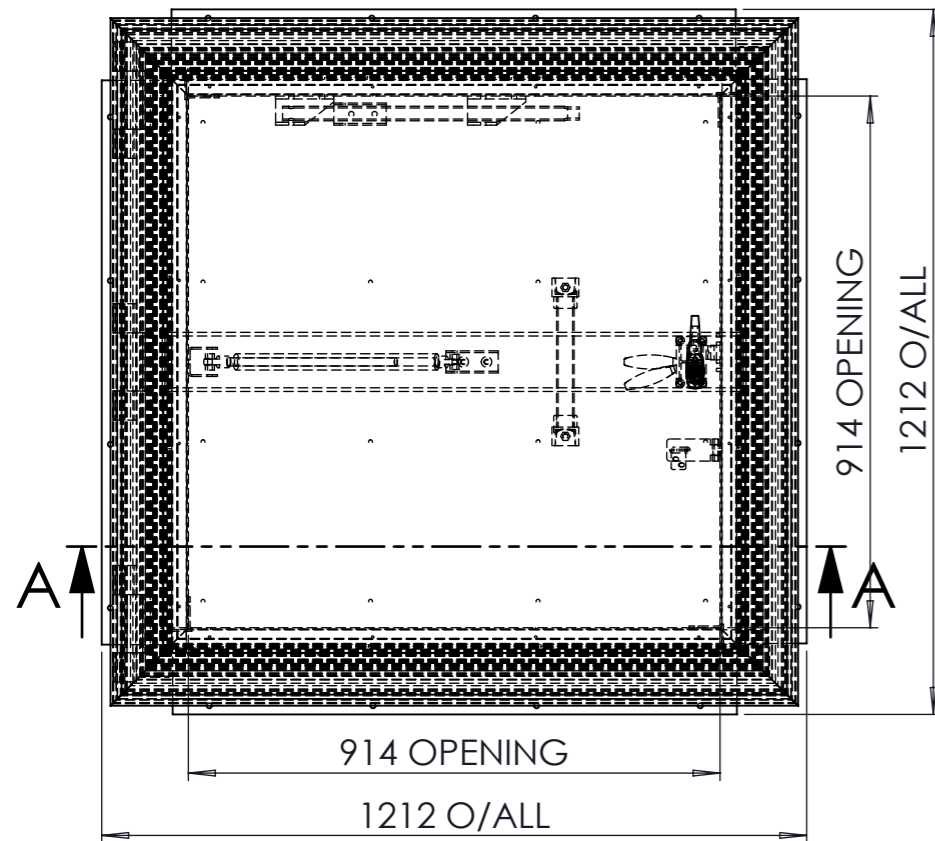
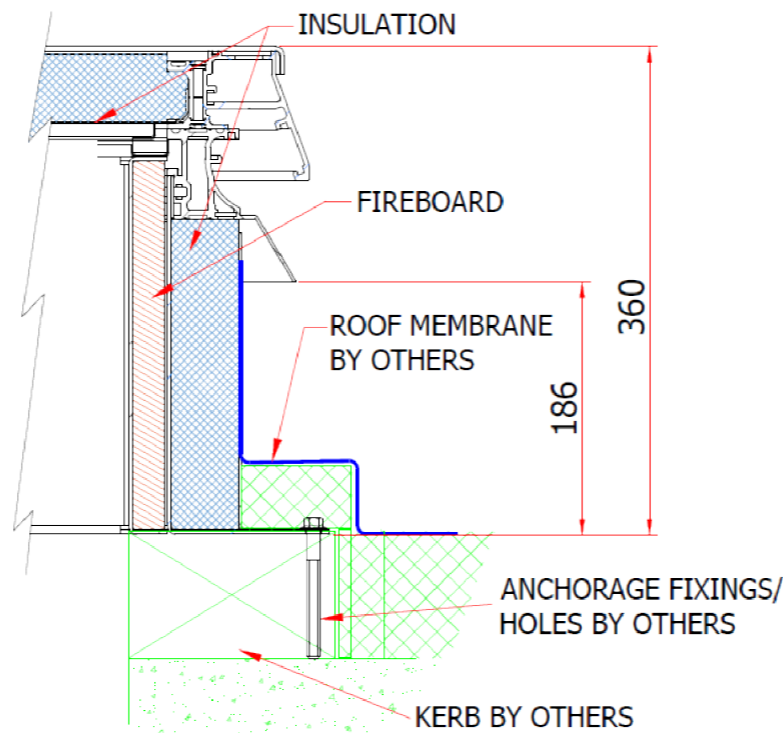


CONFIDENTIAL



SRH-TB-FR 300mm UPSTAND

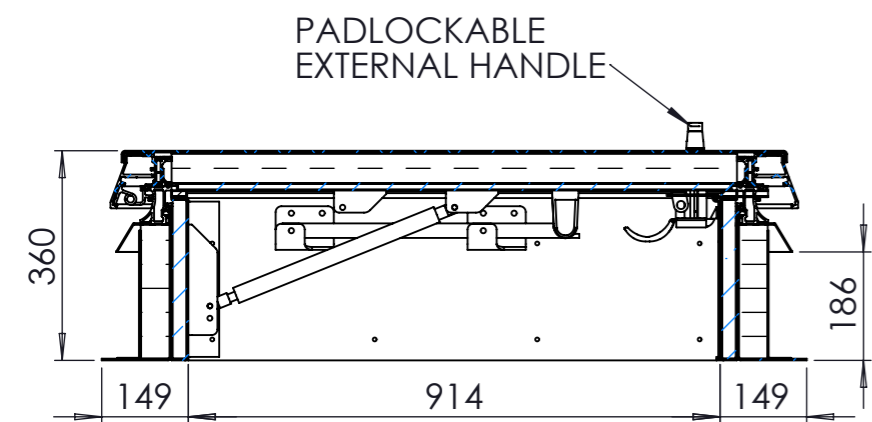


SRH/TB/FR
UP TO 240 MINUTES FIRE RATED FOR INTEGRITY TO EN1634-1:2014 AND UL-EU CERTIFIED

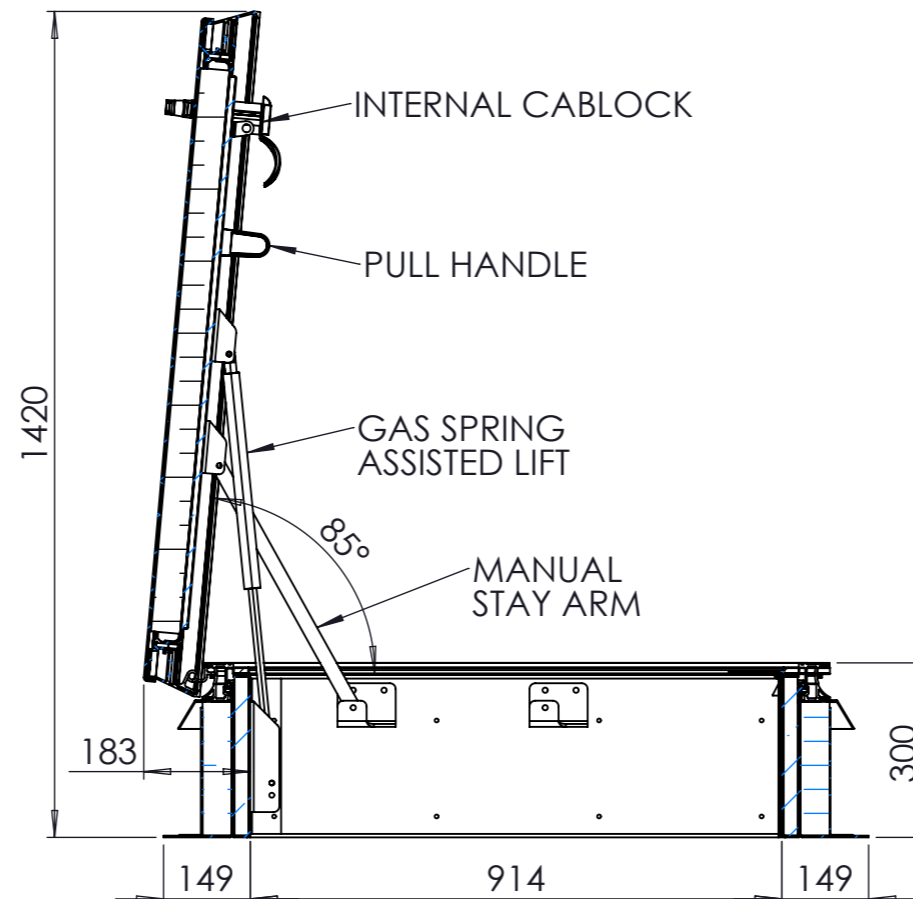
SIZE: 914 X 914 mm
UPSTAND HEIGHT: 300 mm
LOCKING OPTION: -LO1 (INTERNAL CABLOCK)
-LO2 (PADLOCKABLE HASP & STAPLE) & -LO4 (EXTERNAL PADLOCKABLE HANDLE)
INCLUDED AS STANDARD IF REQUIRED
MATERIAL: EXTERNAL- ALUMINIUM
INTERNAL- GALV STEEL CLAD
INSULATION: 50mm NON-COMBUSTIBLE MINERAL WOOL (U-VALUE of 0.63W/m²K)

INTERNAL COLOUR: MILL FINISH
EXTERNAL COLOUR: MILL FINISH

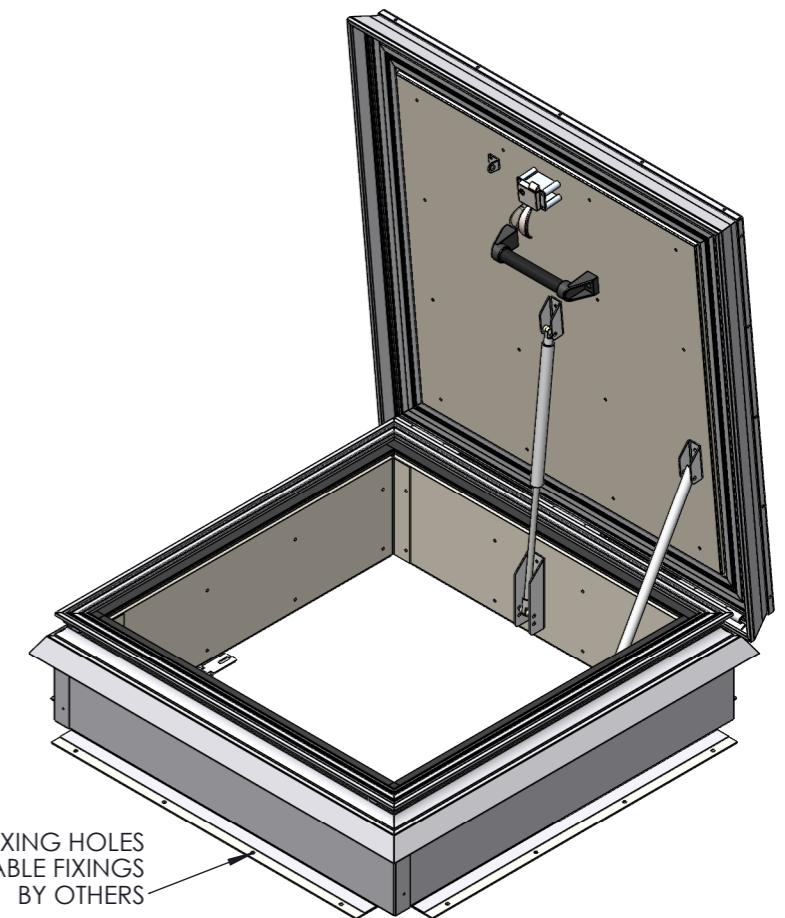
APPROX. WEIGHT: 188.8 kg



A-A
CLOSED VIEW



A-A
OPEN VIEW



Ø9mm FIXING HOLES
SUITABLE FIXINGS
BY OTHERS

Surespan Limited 2021. All intellectual property rights retained. This drawing and its contents are the property of Surespan Limited and must not be disclosed in part or wholly to any third-party without the written permission of Surespan Limited

The article shown is also the subject of:
Patent rights
Registered design right
Unregistered rights
The drawing is a design document
Patent pending

				DIMENSIONS ARE IN MILLIMETERS U.O.S TOLERANCES: X +/- 2mm, X.X +/- 0.2mm DO NOT SCALE DRAWING - IF IN DOUBT ASK		A3	
NAME		DATE:		TITLE: SRH-TB-FR 914 X 914 mm			
DRAWN							
CHECK'D							
APPV'D							
DEBUR AND BREAK SHARP EDGES		MATERIAL: N/A		DWG NO. SRH-TB-FR-914-914-01-0001		SCALE: 1:13	
		FINISH:		REVISION: A			
		WEIGHT: 188.8 KG		STATUS: Work In Progress		SHEET: 1 of 1	