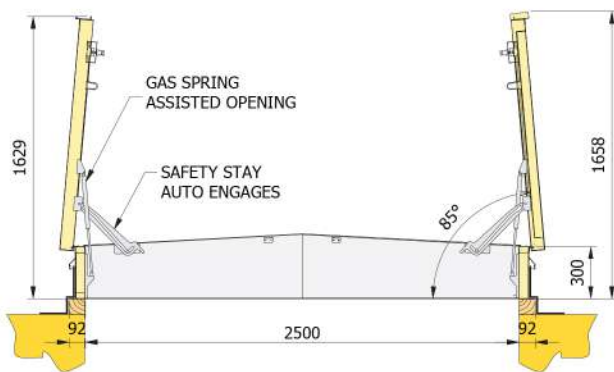


DOUBLE LEAF ROOF HATCH SRH/DL



CUSTOM MADE TO ANY SIZE



SRH/ DOUBLE LEAF HATCH

Standard features

50mm PIR Insulation
0.43 W/m²K

OPTIONAL:
50mm **Non Combustible** Mineral Wool Insulation
0.63 W/m²K

OPTIONAL FEATURES

- Concealed gas springs
- Electrical option
- Acoustic rating to Rw45dB
- One hour fire rating
- Two hour fire rating
- Powder coated to any RAL colour
- Trace Heating
- SureGuard handrail
- Retractable Safety Grid

OPTION CODE

- GSC**
- E**
- 45dB**
- FR60**
- FR120**
- PC/RAL**
- TH**
- SURG**
- SG**

CUSTOM MADE TO ANY SIZE

HIGH SPEC DOUBLE LEAF



Surespan double leaf roof hatches are manufactured in aluminium with an optional polyester powder coated finish.



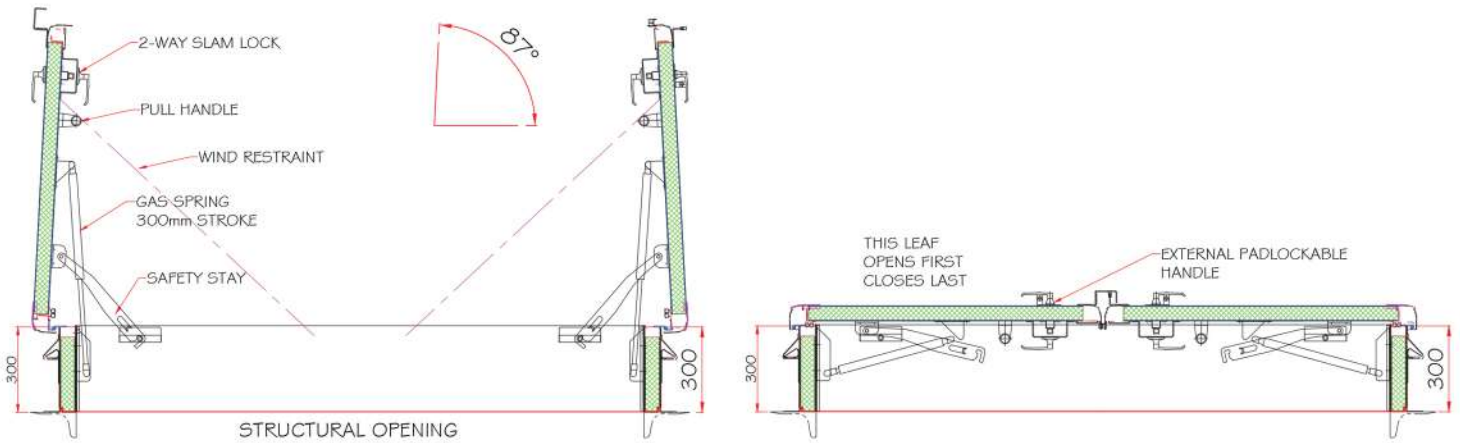
HOW TO SPECIFY & ORDER

Choose your model and add the option codes listed above. See the example below for a 2000 x 2000 double leaf roof hatch with external handle and 3 point locking, curb liner, 1 hour fire rated and powder coated to RAL 9002. **SRH/DL - L04/L08/CL/FR60/RAL9002-200.200**

If in doubt give our sales team a call on 01922 711185 or use the mail form on our website to contact us.



DOUBLE LEAF ROOF HATCH SRH/DL



MATERIAL

Cover and upstand manufactured in aluminium.

COVER

Double leaf cover supported by heavy duty hinges and features an integral 'wrap-over' edge, incorporating double unbroken seals.

COVER INSULATION

The lid is filled with 50mm CFC and HCFC free polyisocyanurate insulation which offers 0.43 W/m²K. Offering GWP (Global Warming Potential) of 3 and a ODP (Ozone depletion potential) of 0.

UPSTAND

200mm in height and manufactured in aluminium. The Upstand has a purpose made flashing to accept the roof membrane (supplied by others and fitted under manufacturers instructions) flush to exterior insulation.

LOCKING

The lid is held shut by a heavy duty grade 316 stainless steel Cablock and in the interest of safety, can only be opened from the inside unless otherwise specified. Other locking options are available on request.

OPERATION

Complete with gas spring assisted opening to ensure the minimum amount of effort to open the double skinned aluminium lid. The lid will have the provision to lock in the open position with a safety hold open stay to prevent against accidental closure.

FINISH

The unit comes self colour as standard or can be provided polyester powder coated to any standard stocked RAL colour as an additional option.

OPTIONS

Optional Thermal Break	Up to 90 Minutes	Concealed Gas Spring
SureGuard Handrail	Fire Resistance	Polyester powder coated
Electric Operation	Sound Reduction to 45dB	Retractable handhold
	Rain & Wind Sensors	

