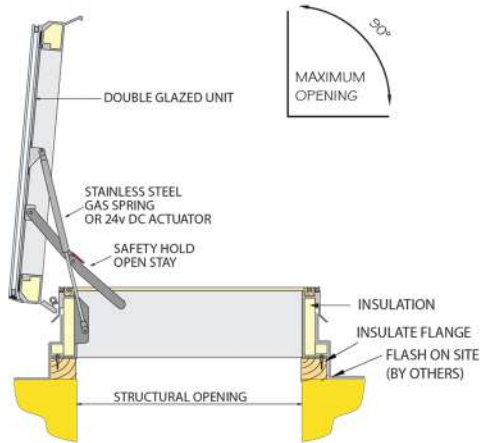
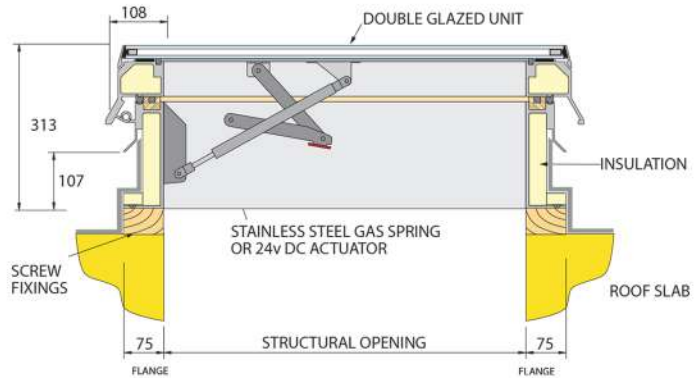


BOXED GLAZED ROOF ACCESS BG

Design May Vary

**MATERIAL
GLAZING****Aluminium**

The 35.5mm sealed double glazed unit will comprise Pilkington 6mm toughened K polished all round outer pane, 20mm Warm Edge silver spacer Bar argon filled, Pilkington 9.5mm toughened & laminated inner pane. This sealed glazed unit has a U-Value of 1.5 W/m²K.

INSULATION

The remaining part of the hatch is filled with CFC and HCFC free insulation. GWP (Global Warming Potential) of 3. ODP (Ozone Depletion Potential) of 0. 313mm in height as standard. The upstand has a purpose made flashing to accept the roof felt (supplied by others and fitted under manufacturers instructions) flush to exterior insulation.

**FRAME
HEIGHT**

The lid is held shut by a heavy duty stainless steel cab lock and in the interest of safety as standard, can only be opened from the inside unless otherwise specified. Other locking options are available on request.

LOCKING**LIFTING**

Complete with gas spring assisted opening to ensure the minimum of effort to open the double skinned aluminium lid. Electrically operated are available options.

FINISH

The cover comes self colour as standard or can be provided polyester powder coated to any standard stocker RAL colour as an additional option.

NOTE

We recommend all hatches are installed on a 5° pitch to stop water ponding.

