

# WALK ON GLASS GWO



## GWO - WALK ON GLASS

Surespan PaveVents incorporate ventilation holes and are designed with a pan type lid supporting the glass in a structural bond system which has a slim sight line.

PaveVent walk-on panels are designed in accordance with FACTA loading requirements.

Walk-on panels incorporate a specially formed anti-slip ceramic, permanently tempered onto the glass surface which can be printed in custom patterns or the standard 'Carborundum' finish. (3mm dot on a 12mm staggered pitch ref: GGSRT9)



CUSTOM MADE TO ANY SIZE



CUSTOM MADE TO ANY SIZE

## WALK ON GLAZED

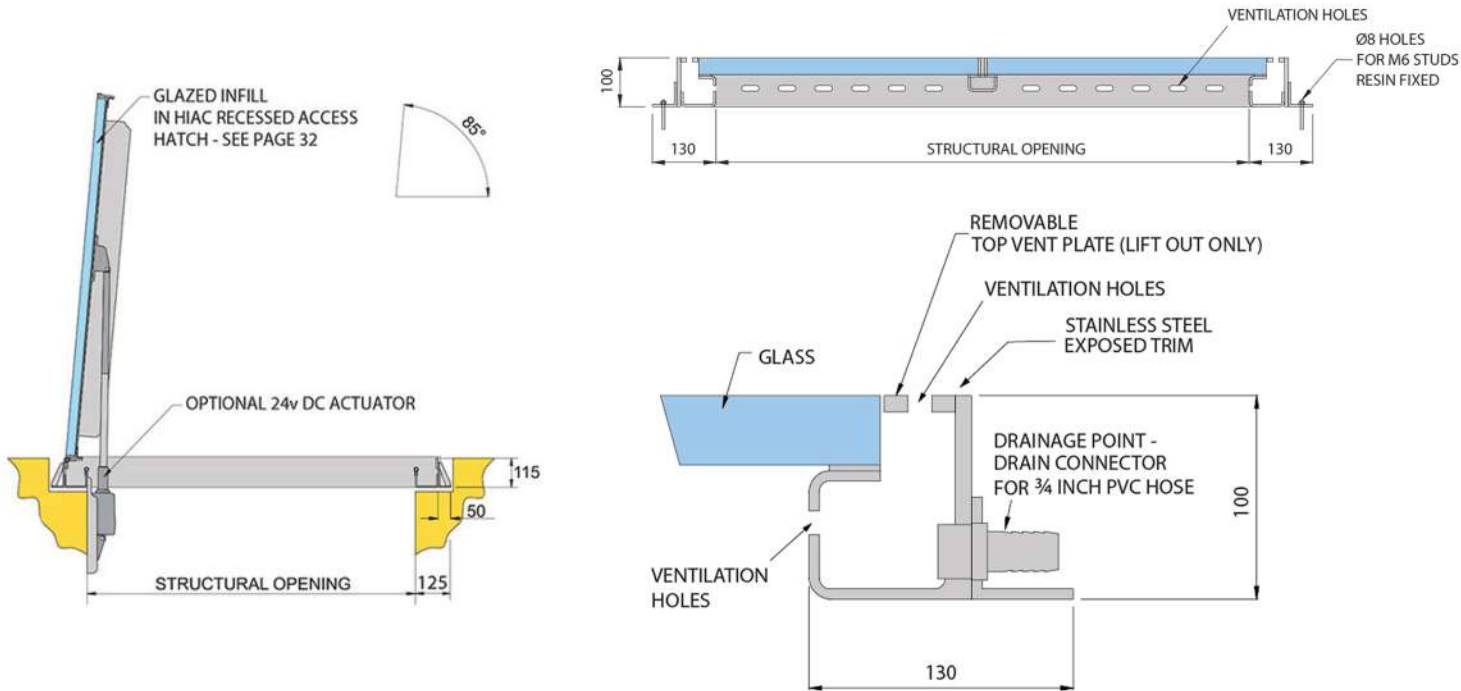


## HOW TO SPECIFY & ORDER

Choose your model and add the option codes listed on pages 84 and 85, see the example below for a 1000 x 1000 Walk on glazed access hatch pedestrian loading with concealed gas springs and powder coated to RAL 9002. **GWO - A/GSC/RAL9002-100.100**

If in doubt give our sales team a call on 01922 711185 or use the mail form on our website to contact us.

WALK ON GLASS **GWO**



MATERIAL  
COVER  
FRAME

GLASS

FINISH

OPTIONS

Grade 304 or 316 Stainless Steel with glass infill

Single or double leaf, hinged or lift out. Rated FACTA Class A - C loading.

Stainless steel frame. The access cover is not watertight but is self-draining. Any water passing the seals will be dispersed via an integral drainage channel, which is fitted with an optional internal or external 3/4 inch flexible hose adaptor (for connection to drain by others) please state if required.

Walk-on panels incorporate a specially formed anti-slip ceramic, permanently tempered onto the glass surface which can be printed in custom patterns or in standard line and dot patterns.

Self colour stainless steel.

Stainless Steel grade 304 or 316  
Electric Operation

Concealed Gas Spring  
FACTA Class A to C

