

# VENTILATED UPSTAND ACCESS COVERS **AQUA**



## AQUA OVERVIEW

Surespan's 'Aqua' stainless steel upstand access covers are rated 250 kg/m<sup>2</sup> loading. Designed with the help of water authorities to provide protected access to reservoirs.

The cover has a ventilated lid fitted with insect-proof micromesh inserts that allow the hatch to breathe and to prevent contamination.

The stainless steel gas springs ensure the lid is easily opened, which then locks in position with a hold-open stay to prevent against accidental closure. A shrouded padlock hasp is fitted as standard, though other locking options are available

### MATERIAL COVER

### FRAME HINGES

### LOCKING

### OPERATION

### FINISH

### OPTIONS

Grade 316 Stainless steel.

Single or double leaf. Designed to prevent the ingress of rainwater, animals or Insects. Incorporating a stainless steel micro mesh venting system which can be easily removed and washed.

Patent frame incorporates an unbroken seal, offering near water tight seal.

Unique hinges to help prevent the ingress of dirt and moisture.

High security shrouded hasp and staple provided for use with a padlock (not included). Other locking options available.

The unit comes complete with gas spring assisted lift. The lid locks in the open position with a safety hold open stay against accidental closure.

The covers are self colour as standard with polyester powder coating to any standard RAL colour as an additional item.

Concealed gas springs

Retractable safety grid

Powder coated

Hydraulic Opening

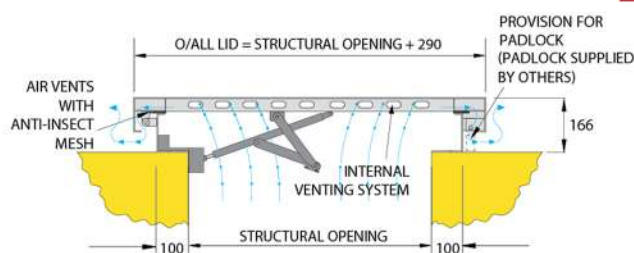
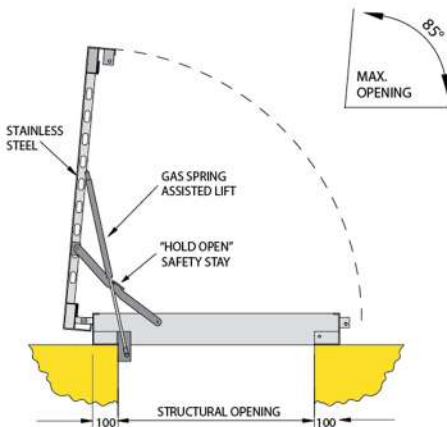
Retractable Hand Hold

SureGuard Hand Rail

Stainless Steel Grade 304

SureGrip Non-slip

Viewing Window



Internal Micromesh Vent

