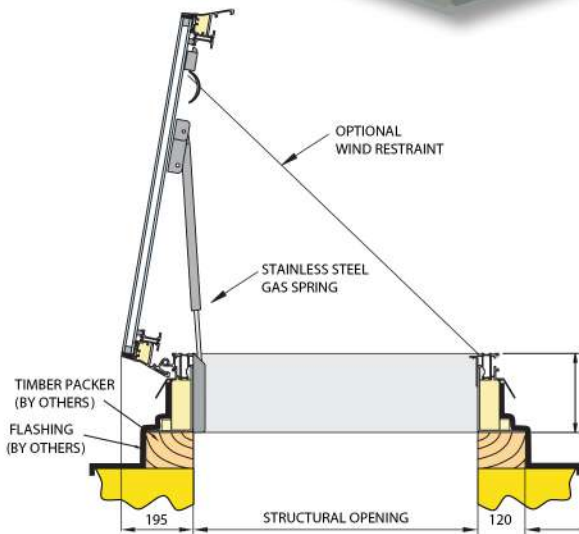


GLAZED ROOF HATCH SRHG



SRHG- GLAZED ROOF ACCESS

The 35.5mm sealed double glazed unit will comprise Pilkington 6mm toughened K polished all round outer pane, 20mm Warm Edge silver spacer Bar argon filled, Pilkington 9.5mm toughened & laminated inner pane. This sealed glazed unit has a U-Value of 1.5 W/m²K.

OPTIONAL FEATURES

- Retractable safety grid
- Retractable hand hold
- Retractable single pole
- Powder coated (RAL colours)
- Acoustic to Rw45dB
- Extended/ Reduced upstand
- Electric
- Solar
- Hydraulic (for larger hatches)
- Concealed gas spring
- Concealed motors
- Stainless steel SS304 & SS316
- Walk on top surface
- Pressure sensitive edges
- Ventilated upstand
- Trace Heating
- Sureguard handrail

OPTION CODE

- SG**
- RH**
- RP**
- PC/RAL**
- 45dB**
- EU/RU**
- E**
- SOLAR**
- HYD**
- GSC**
- ECM**
- SS304 or SS316**
- A (Loading)**
- PS**
- VU**
- TH**
- SURG**

CUSTOM MADE TO ANY SIZE



HOW TO SPECIFY & ORDER

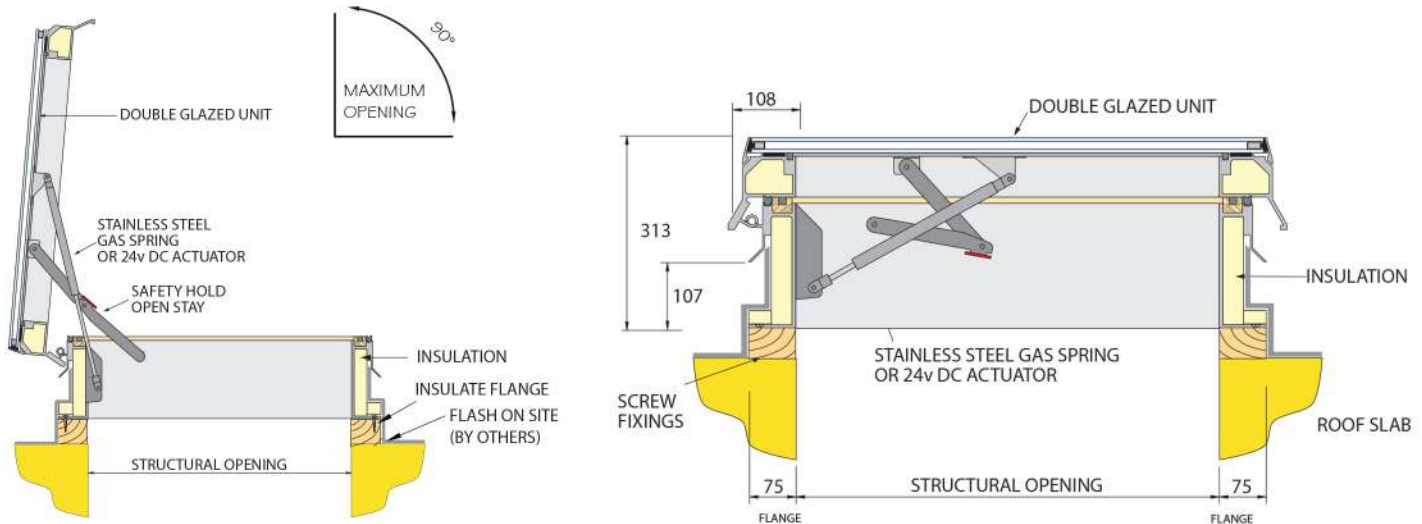
Choose your model and add the option codes listed above. See the example below for a 1000 x 1000 Glazed hatch electrically operated concealed motors, solar controlled and powder coated to RAL 9002.

SRHGE – ECM/SOLAR/RAL9002-100.100

If in doubt give our sales team a call on 01922 711185 or use the mail form on our website to contact us.



GLAZED ROOF HATCH SRHG



Design May Vary

MATERIAL

Aluminium

GLAZING SPEC

35.5mm sealed double glazed unit will comprise Pilkington 6mm toughened K polished all round outer pane, 20mm Warm Edge silver spacer Bar argon filled, Pilkington 9.5mm toughened & laminated inner pane.

INSULATION

The remaining part of the hatch is filled with CFC and HCFC free insulation. GWP (Global Warming Potential) of 3. ODP (Ozone Depletion Potential) of 0

UPSTAND

313mm in height as standard. The upstand has a purpose made flashing to accept the roof membrane (supplied by others and fitted under manufacturers instructions) flush to exterior insulation. Also available with thermally broken extruded sections

OPERATION

Complete with gas spring assisted opening to ensure the minimum amount of effort to open the double skinned aluminium lid. Electrical or hydraulic will be required for larger covers.

FINISH

The cover comes complete in self colour as standard. The cover can be polyester powder coated to any standard stocked RAL colour as an additional option.

NOTES

We recommend all hatches are installed on a minimum 5° pitch to prevent possible water ponding.

OPTIONS

Stainless Steel Grade 304/316	Walk On Glass	Retractable Safety grid
Concealed Actuators	Opaque Glass	Retractable Hand Hold
Extended or reduced Upstand		