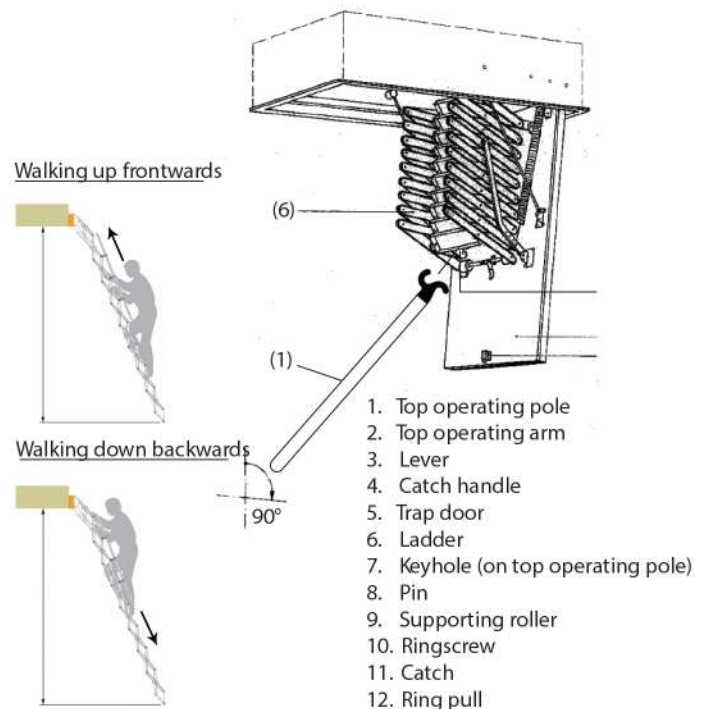


ZIP LADDER OPERATING INSTRUCTIONS ZIP8

Read and follow these instructions with care before you install the Zip ladder. (Units are heavy; safety should be observed at all times)

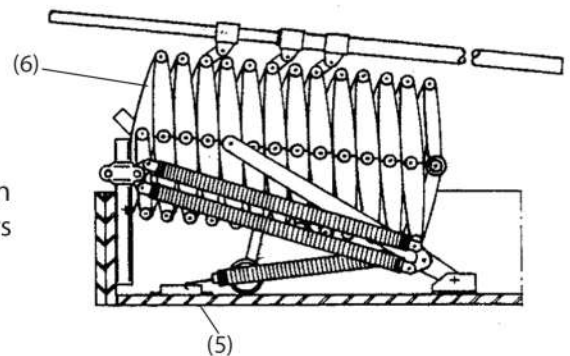
OPENING OF ZIP LADDERS

1. Using the operating pole (1) place the hook into the ringscrew (10) and release the catch (11) by pulling downward.
2. Open the cover (5) with the operating pole (1) slowly and lower to its fully open position
3. Release the operating pole (1) and hook into the ring pull (12), located on the bottom tread, then turn 90° (see drawing). Pull down the ladder until at a suitable height the remaining can be pulled down by hand.
4. Ensure the ladder stands safe on the floor
5. The Zip ladder can now be used; maximum weight per tread 200kg maximum weight per ladder 500kg.
6. Whilst using the ladder keep a good hold on the handrail or scissors when walking up and down.



CLOSING THE ZIP LADDER

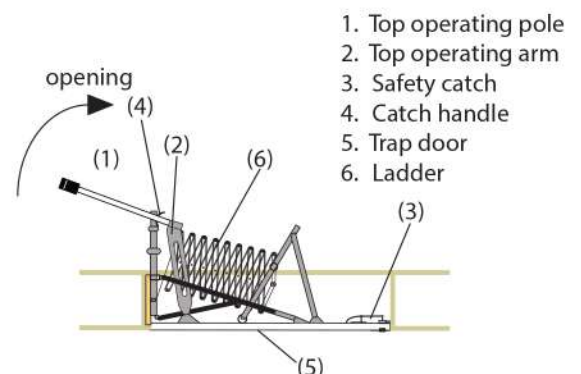
1. Push the ladder (6) together as far as you can with your hands until the height becomes too great, then continue the closure with the operating pole (1). Keep a hold of the door whilst doing so.
2. Slowly close the door with the operating pole hooked into the eye of the catch until the latch snaps shut. **Caution:** do not grip between scissors or treads during closing as there is a danger hands or fingers may get trapped.
3. Unhook the operating pole (1) from the eye of the catch and also check that the latch is engaged.



TOP OPERATING HANDLE - WOODEN CASING

Opening ZIP Ladder from above using top operating handle.

1. A safe standing position is essential; do not stand on the trap door until the ladder is fully open.
2. Insert the top operating pole (1) into the top operating arm (2).
3. Squeeze the catch handle (4) to release safety catch (3).
4. Lift upwards and push the top operating pole (1) forwards to open the trap door (5) completely and lower the ladder (6) until it rests safely on the floor below before use.



ZIP LADDER OPERATING INSTRUCTIONS ZIP8

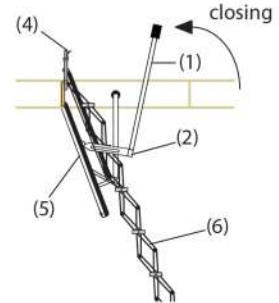
Read and follow these instructions with care before you install the Zip ladder. (Units are heavy; safety should be observed at all times)

TOP OPERATING HANDLE - WOODEN CASING (CONTINUED FROM PAGE 1)

CLOSING ZIP LADDER FROM ABOVE USING TOP OPERATING HANDLE

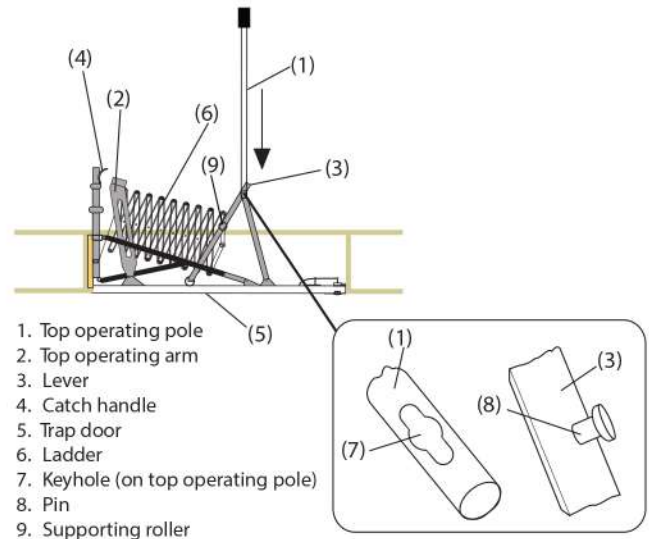
1. Install the casing with screws (min. Ø 6 x 70) in suitable places (min. x 8). Ensure the number of screws in place are sufficient to take the weight of the casing.

1. Top operating pole
2. Top operating arm
3. Safety catch
4. Catch handle
5. Trap door
6. Ladder



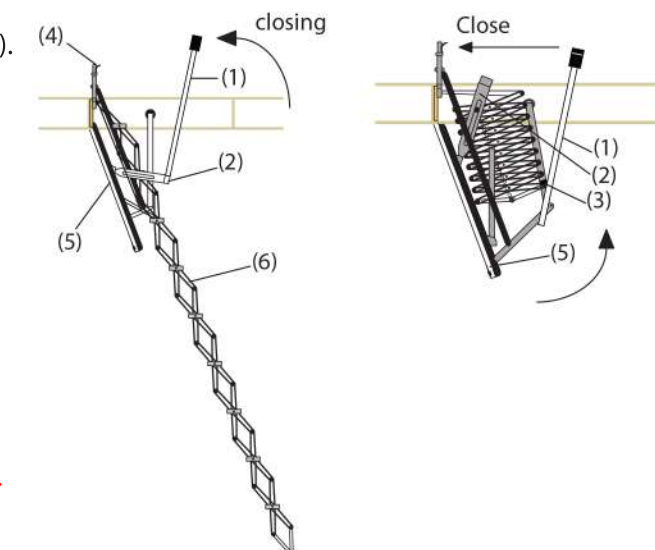
OPENING ZIP LADDER FROM ABOVE USING TOP OPERATING HANDLE (METAL CASING)

1. A safe standing position is essential; do not stand on trap door or ladder until fully open. Do not use excessive force during use.
2. Slot operating pole keyhole (7) onto pin (8) on operating lever (3).
3. Release catch handle (4) and at the same time, push operating pole (1) down to open the trap door (5).
4. Remove operating pole (1) from pin (8) and insert into top operating arm (2).
5. Push top operating pole (1) forward to extend the ladder.
6. Ensure the ladder extends to floor below before use and remove the top operating pole (1).



CLOSING ZIP LADDER FROM ABOVE USING TOP OPERATING HANDLE (METAL CASING)

1. Ensure a safe standing position. Do not use excessive force during use.
2. Insert the top operating pole (1) into the eye of the operating arm (2). Pull the top operating pole (1) until the ladder (6) is in the closed position on the trap door (5).
3. Release the top operating pole (1) from the top operating arm (2).
4. Slot operating pole keyhole (7) onto pin (8) on operating arm (3). Lay the top operating pole (1) over the supporting roller (9) and pull to raise and close the trap door (5). Ensure the catch is engaged. Release the top operating pole (1).



REGULAR MAINTENANCE

1. Check that all screws, nuts and safety parts are tight regularly.
2. Oil or grease all moving parts on a regular basis.